

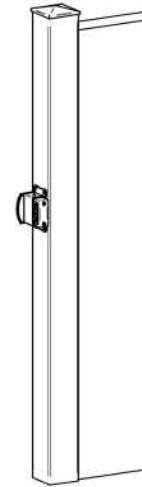
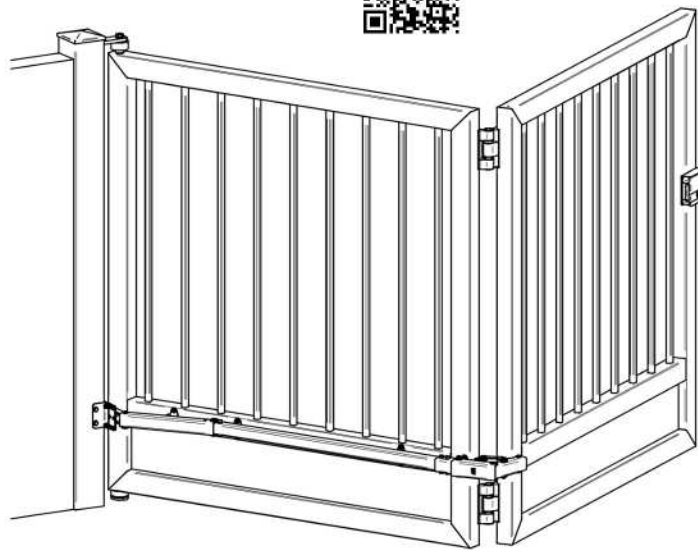
»HERRAJES PARA PORTON PLEGABLE 2 & 4 HOJAS

Description BI-FOLDING GATES SYSTEM KIT

All items contained in the kit are made of galvanized steel and is specially designed for use on bi-folding applications. The gates on which the kit is used can be motorized. The system allows for the gate folding parts to move simultaneously. In the open position the gate will occupy a space little more than half of the overall clearance.

Family of parts
KC7101

SCAN FOR MORE INFO



Elenco parti Component list

1x	1x	2x
		
Profilo C - C Profile 40x40x2 Optional	VC4111.B50 - VC4171.B40/50 Consigliati-Racommended	VC4202.050-VC4261.040- VC4262.050 Consigliati - Racommended
		



Attention: installations that do not comply with the illustrated procedure or failure to carry out correct maintenance operations can cause the gate to derail and endanger the safety of persons and property



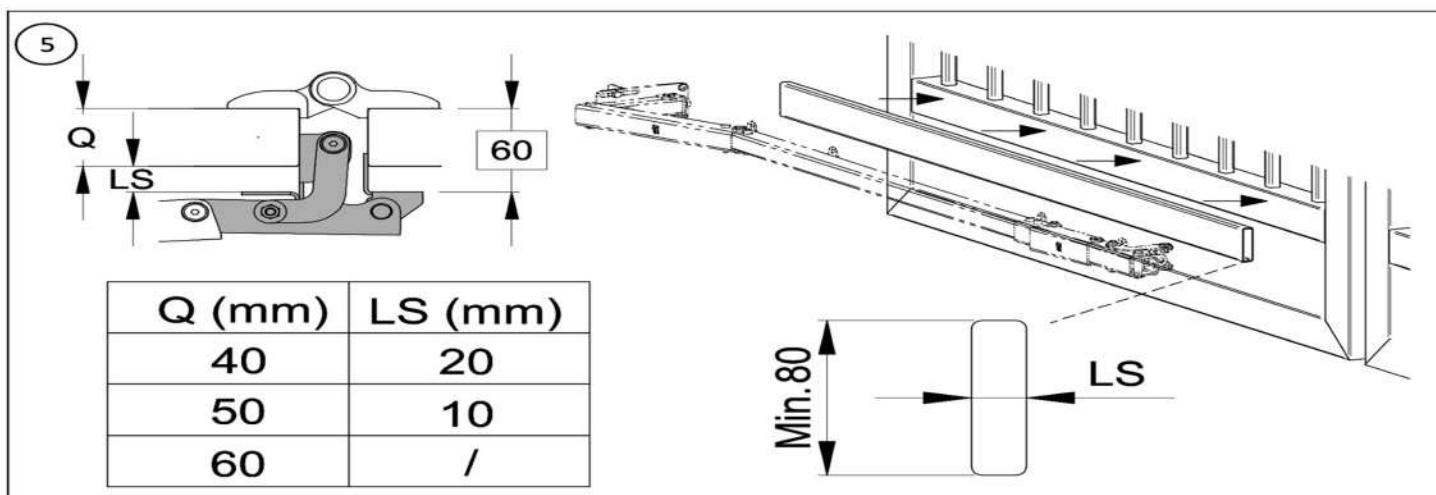
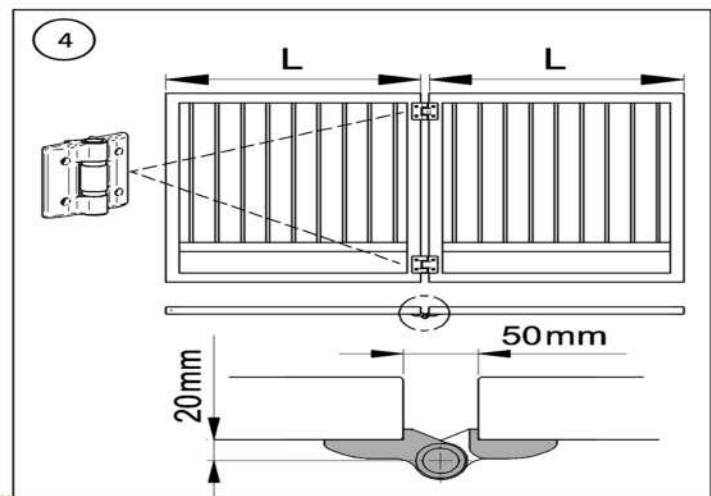
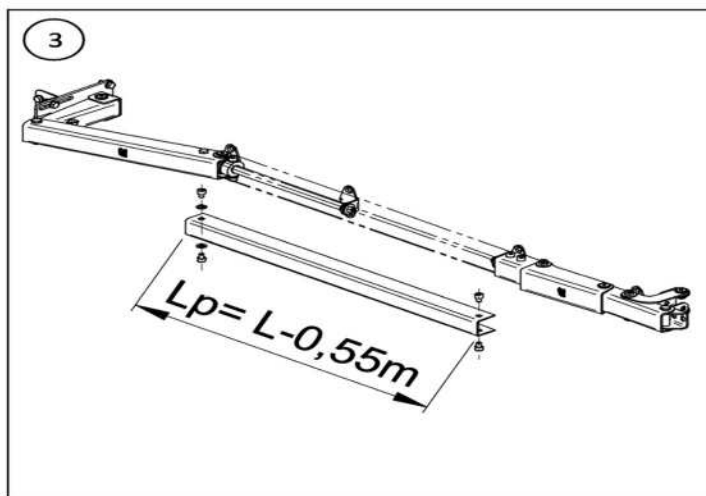
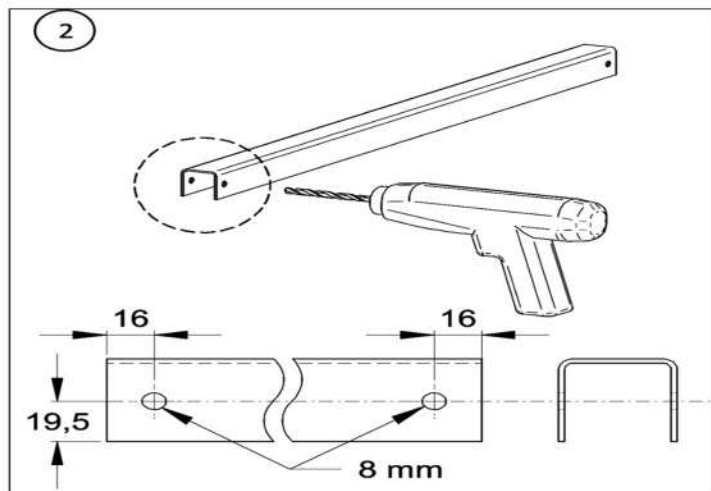
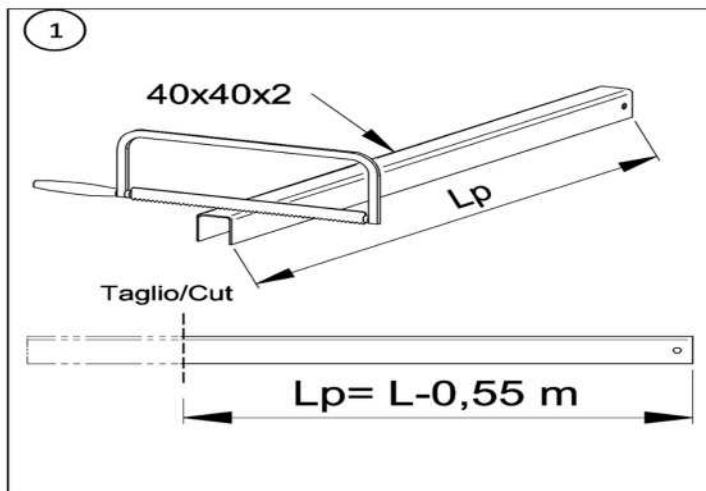


ACCESSORI PER CANCELLI



Puertas & Portones Automáticos, S.A. de C.V.

¡Nuestra pasión es la Solución!....



Attention: installations that do not comply with the illustrated procedure or or failure to carry out correct maintenance operations can cause the gate to derail and endanger the safety of persons and propriety



(229) 288-1552

portonesautomaticos@adsver.com.mx
portonesautomaticos@prodigy.net.mx



(229) 927-5107, 167-8080, 167-8007, 151-7529.

www.adsver.com.mx

V07.17

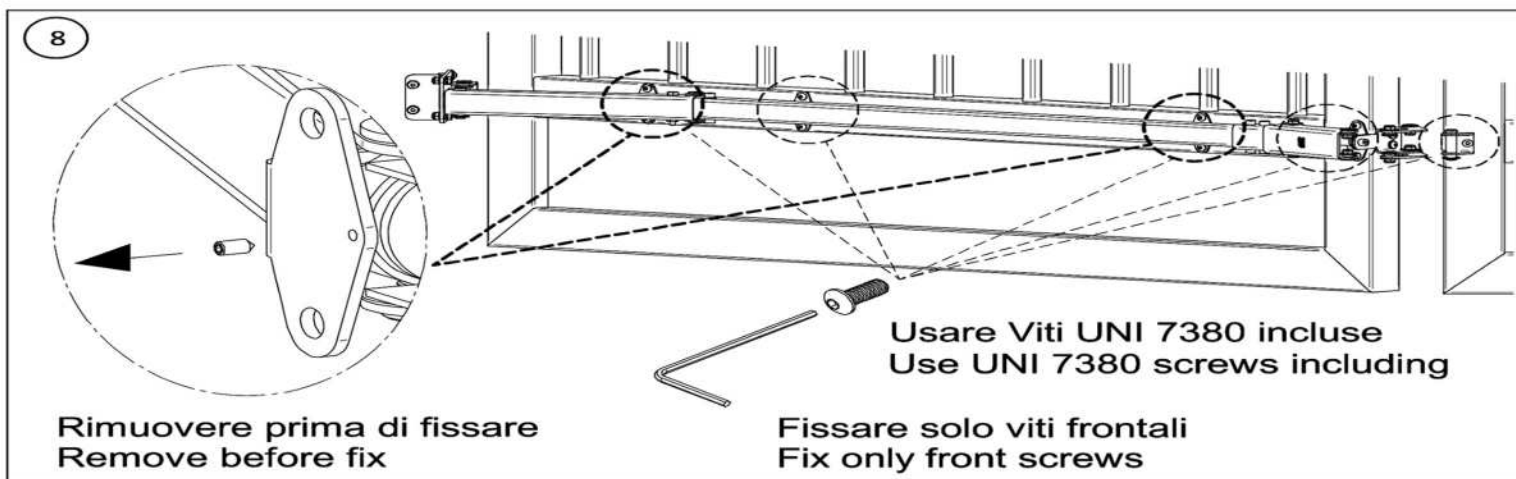
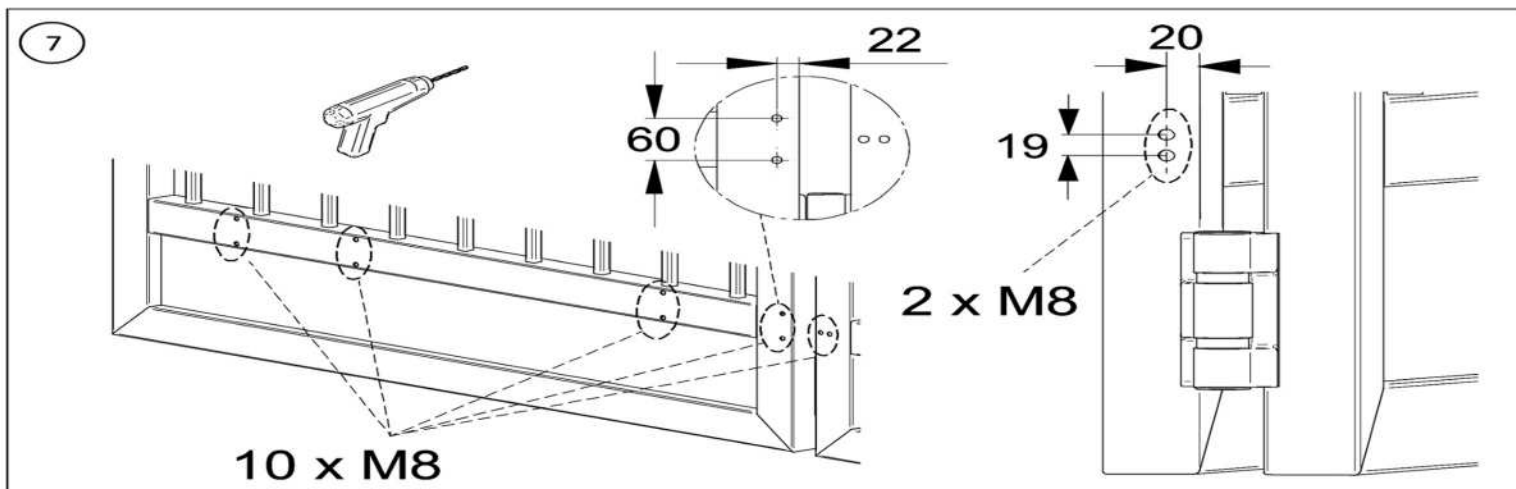
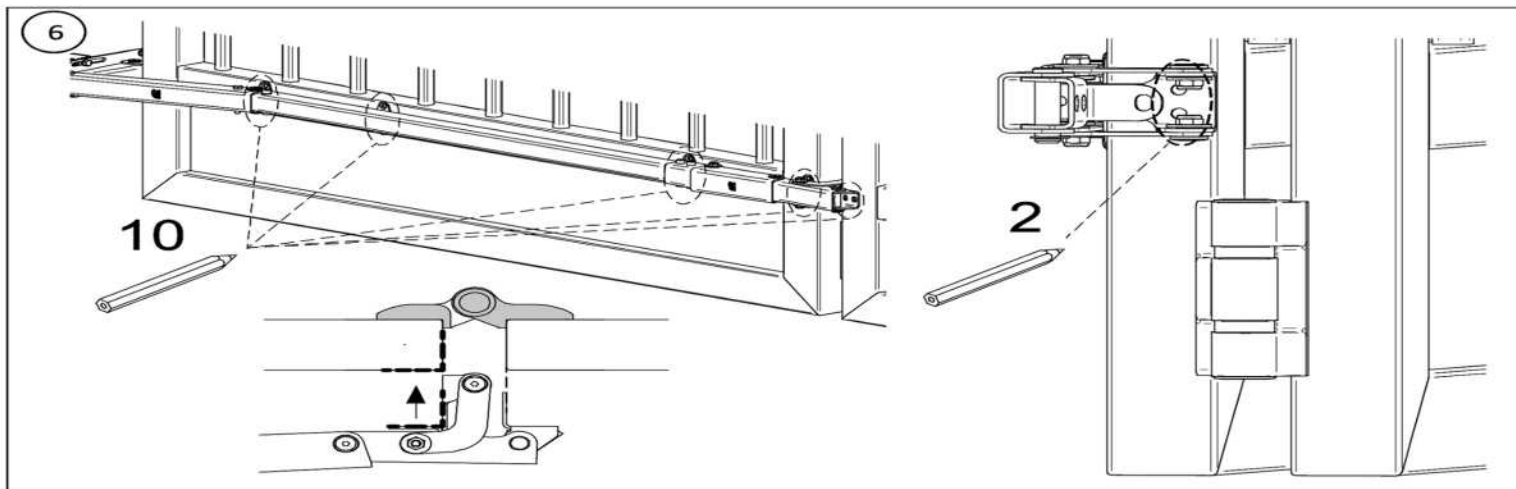


ACCESSORI PER CANCELLI



Puertas & Portones Automáticos, S.A. de C.V.

¡Nuestra pasión es la Solución!...



Attention: installations that do not comply with the illustrated procedure or or failure to carry out correct maintenance operations can cause the gate to derail and endanger the safety of persons and propriety

(229) 288-1552

portonesautomaticos@adsver.com.mx
portonesautomaticos@prodigy.net.mx



RESIDENCIAL



COMERCIAL



INDUSTRIAL



MEMBER
International Door Association



V07.17

(229) 927-5107, 167-8080, 167-8007, 151-7529.



www.adsver.com.mx

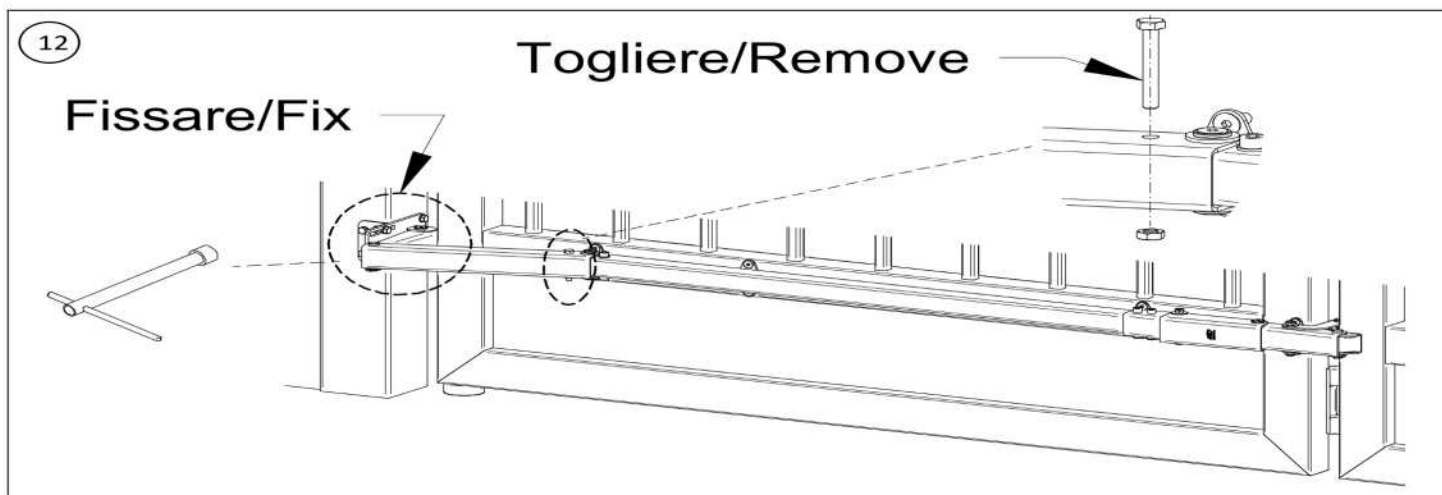
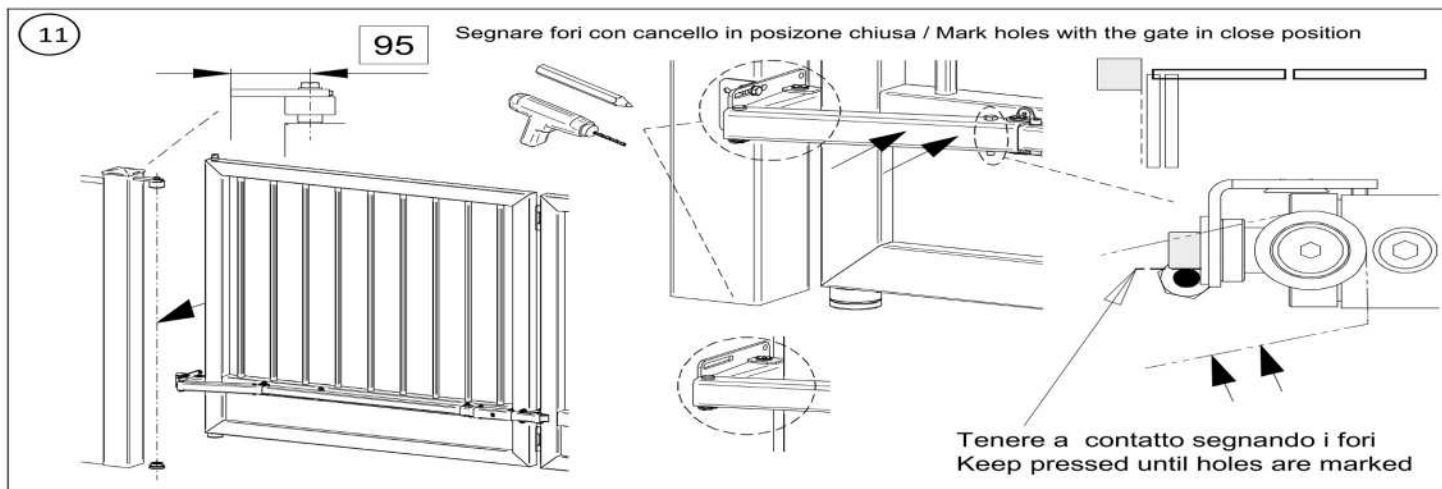
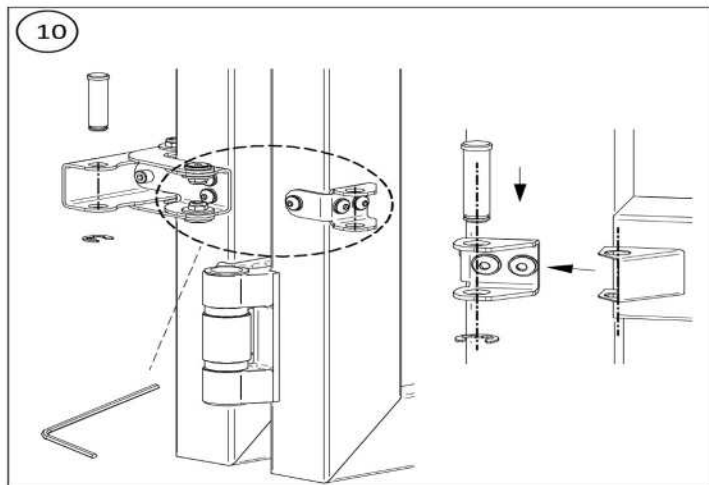
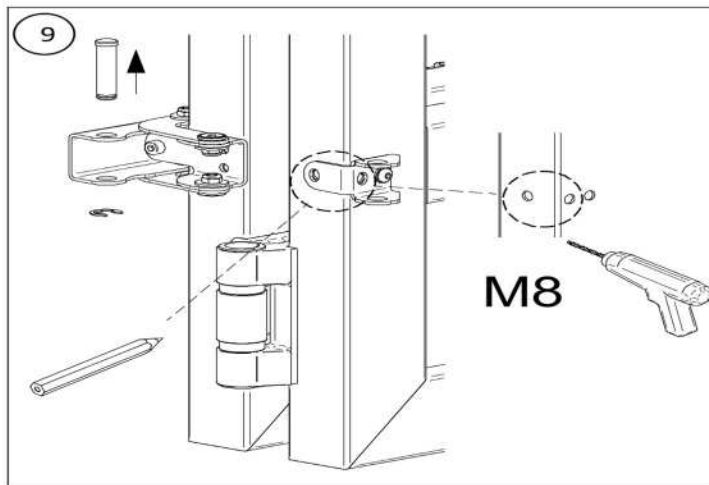


ACCESSORI PER CANCELLI



Puertas & Portones Automáticos, S.A. de C.V.

¡Nuestra pasión es la Solución!....



Attention: installations that do not comply with the illustrated procedure or failure to carry out correct maintenance operations can cause the gate to derail and endanger the safety of persons and property



(229) 288-1552

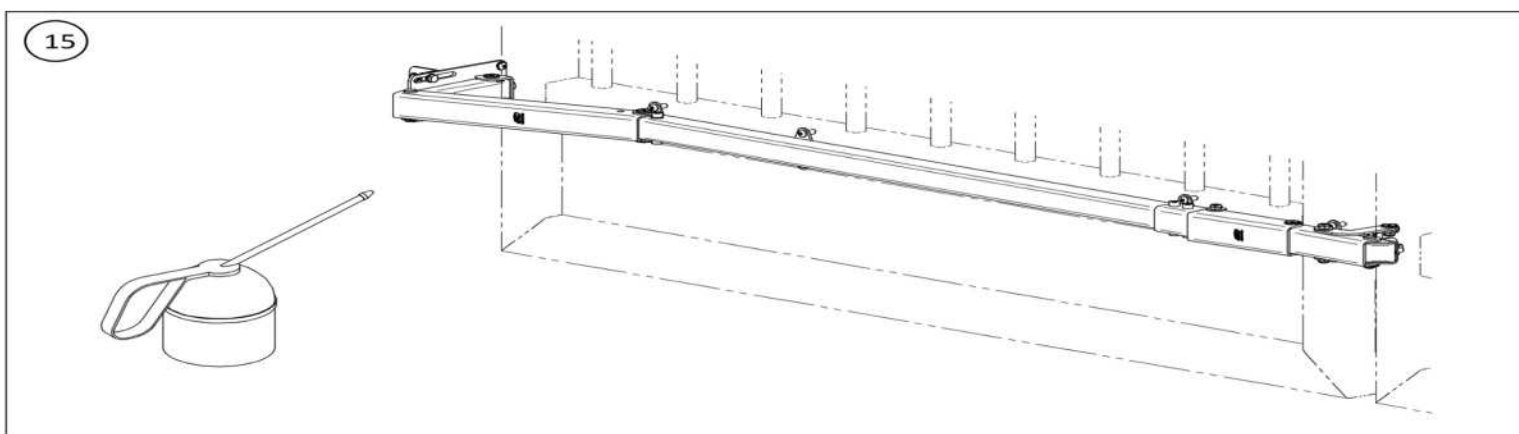
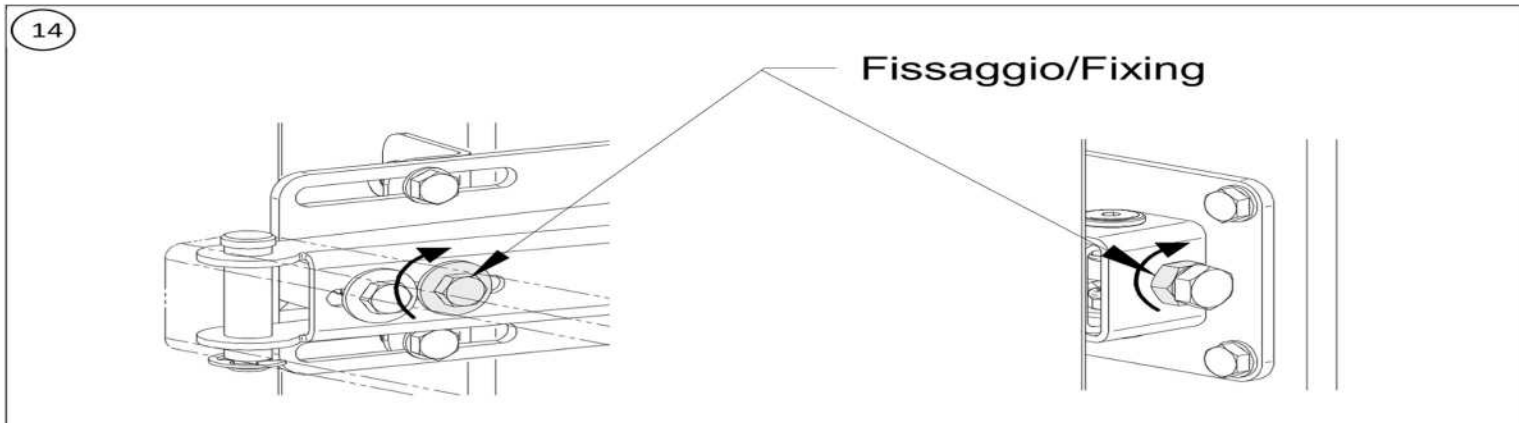
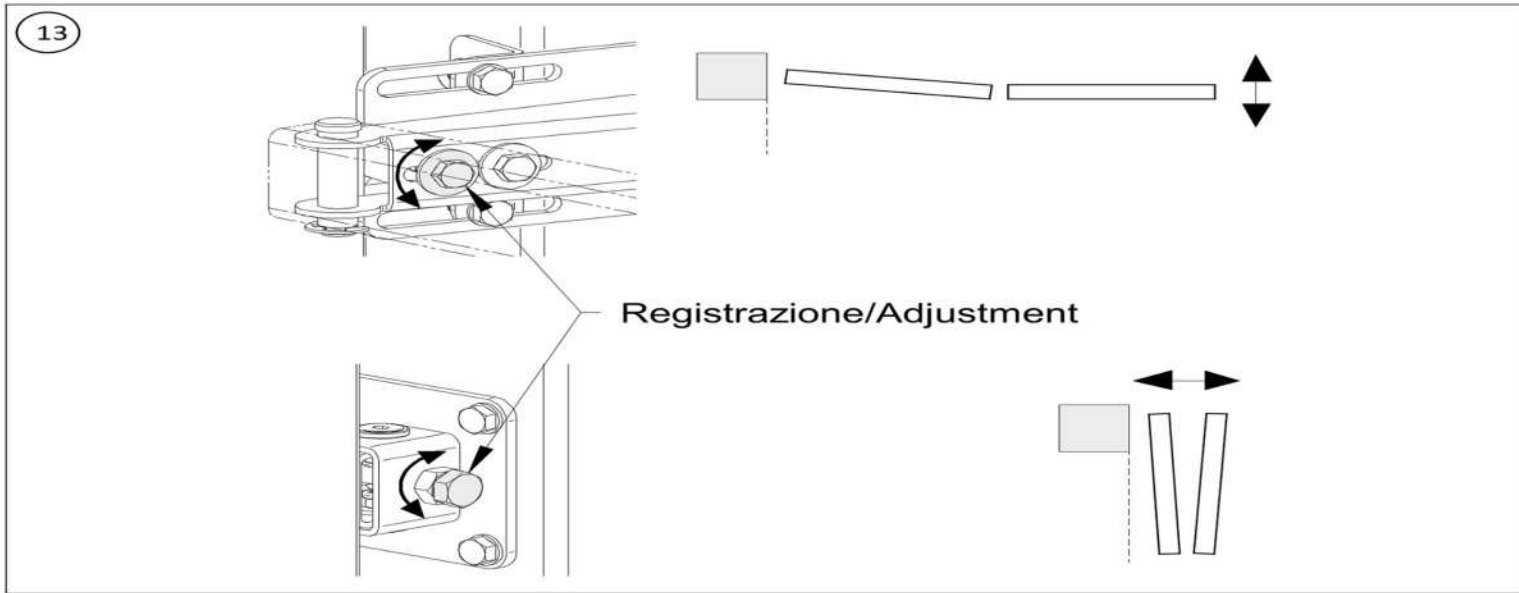
portonesautomaticos@adsver.com.mx
portonesautomaticos@prodigy.net.mx



(229) 927-5107, 167-8080, 167-8007, 151-7529.

www.adsver.com.mx

V07.17



Attention: installations that do not comply with the illustrated procedure or failure to carry out correct maintenance operations can cause the gate to derail and endanger the safety of persons and property



TABELLA DIMENSIONAMENTO - DIMENSIONING TABLE

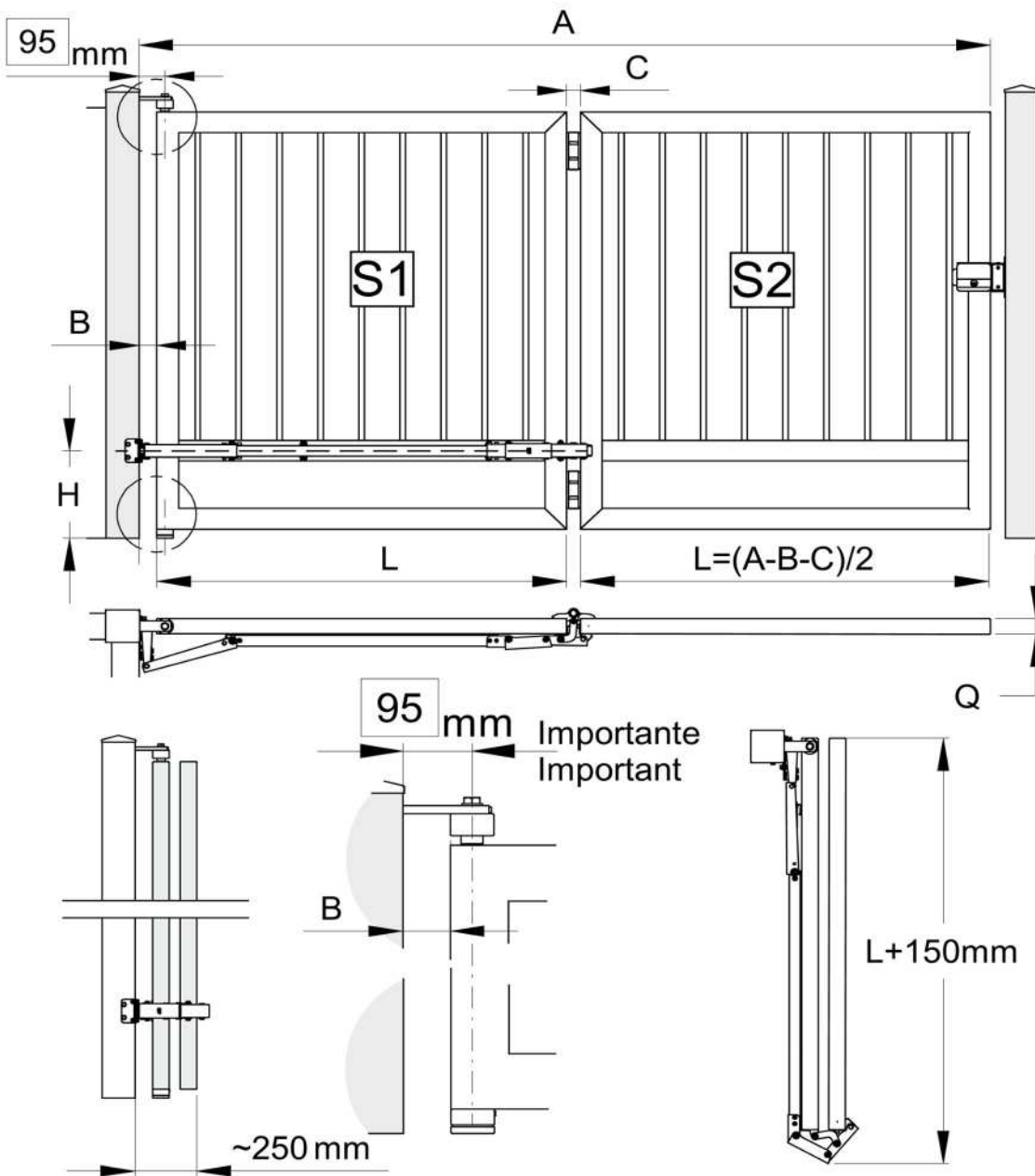


TABELLA DIMENSIONI - DIMENSION TABLE

A min-max [m]	B min [mm]	C [mm]	H	L min [m]	Q [mm]
1,9 - 5	65	50	a piacere -free	0,89	40-50-60



Attention: installations that do not comply with the illustrated procedure or or failure to carry out correct maintenance operations can cause the gate to derail and endanger the safety of persons and propriety

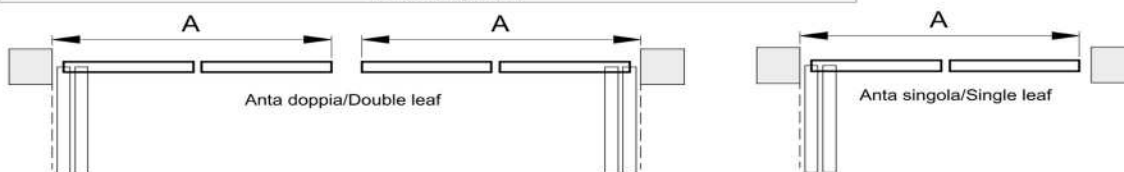
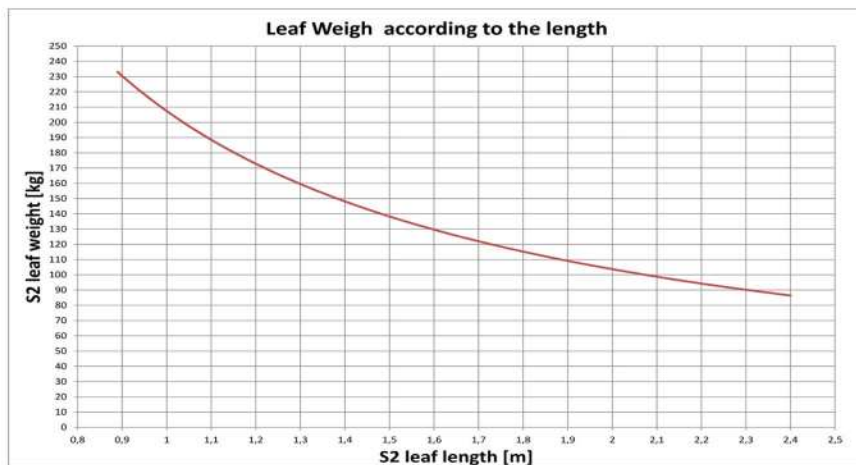


A [m]	L [m] con/with B=0,07
2	0,94
2,5	1,19
3	1,44
3,5	1,69
4	1,94
4,5	2,19
5	2,44

Esempio misure fuori tabella
Example dimensions not in table
A=2,8m
B=0,07m (min 0,065 m)
C=0,05m (da tabella sopra/from above table)

$L=(A-B-C)/2$
 $L=(2,8-0,07-0,05)/2$
 $L=2,68/2$
L=1.34 m

Peso max S2 in funzione della lunghezza L
Max S2 leaf weight according to the L length



Importante: Se motorizzato prevedere spunti di partenza e arresti lenti per evitare effetti elastici tra le ante
Important: If motorized set soft starts and stops to avoid elastic effects between the leaves

Maintenance

To maintain these parts in good and safe working conditions it is necessary to follow these steps:

1. After gate assembly is completed, perform a few manual opening and closing cycles, make sure there are no loose parts and periodically lubricate all bearings and junction points.
2. In case of accidental shock caused by moving vehicles or other external factors, check parts for external damages. In case of irreparable damage, replace with a new part. Always check the gate by manually opening a few opening opening and closing cycles. All maintenance procedures must be performed by trained technicians.
3. If the gate has any difficulty of movement or in presence of abnormal oscillations, the gate must be checked for worn parts replaced if necessary. Gates working in harsh ambient conditions, such as; high humidity, salt, acids, dust or temperatures above 120°C will require special attention and frequent maintenance.
4. For motorized gates, pay special attention when selecting the operational speed. Soft starts and stops are highly recommended:
 - High speed of operation, and hard starts and stops will be stressful to the system and it may result in loosen nuts, bolts and irreparable damage.
 - Low operational speeds may cause an elastic effect between the leaves



Attention: installations that do not comply with the illustred procedure or or failure to carry out correct maintenance operations can cause the gate to derail and endanger the safety of persons and propriety

