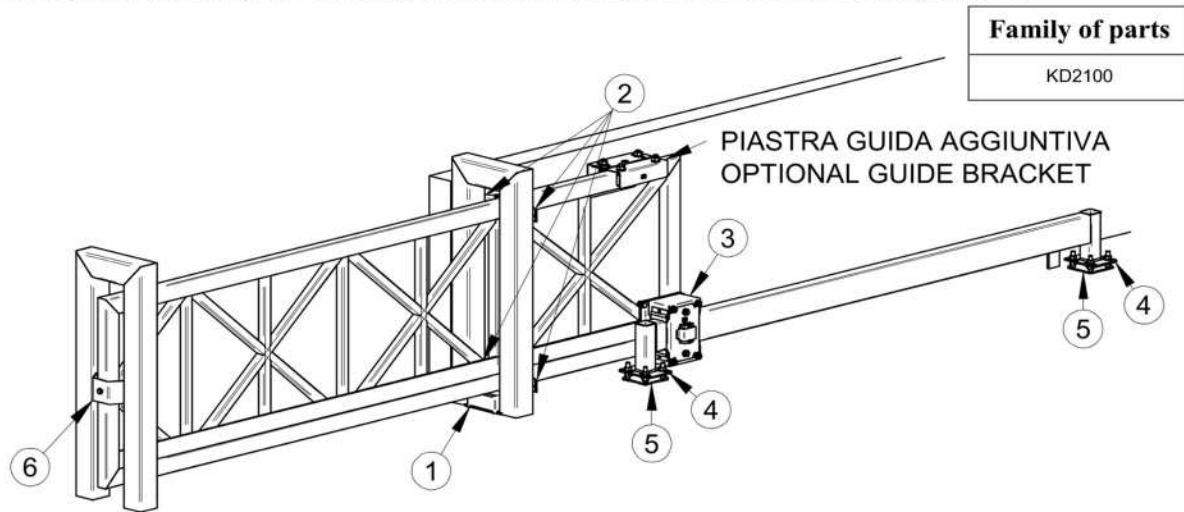


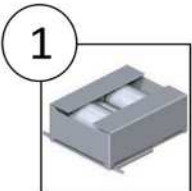
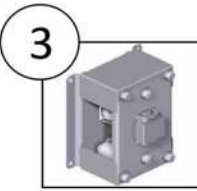
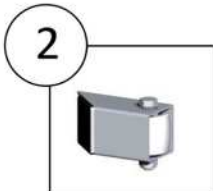
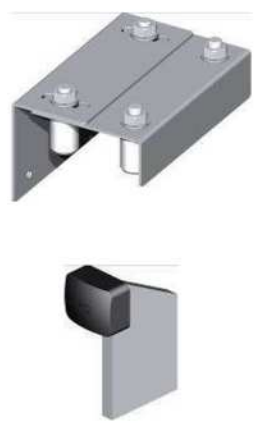
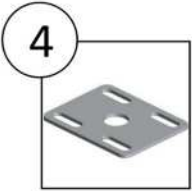
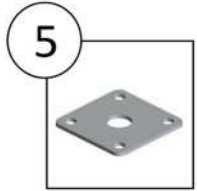
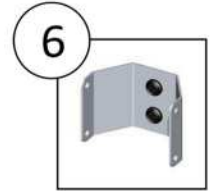
»KIT DE HERRAJES GUARDIAN CANTILEVER

KIT CANTILEVER SYSTEM GUARDIAN

This kit is made of galvanized steel ideal for installation on cantilever gates. The gate slides on a central roller assembly (1) and is guided by another group of rollers (3) which is fixed on the gate and it slides on an external ground track.



Elenco parti del Kit – Kit parts list

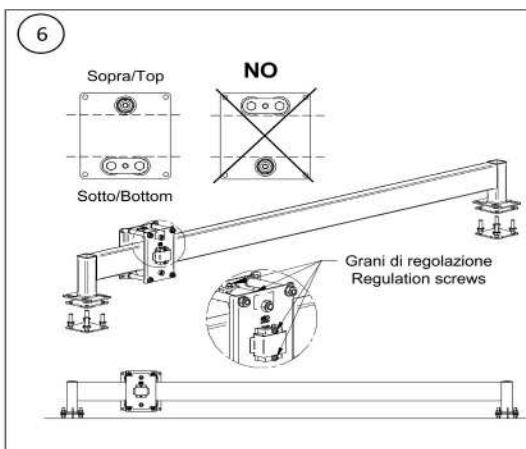
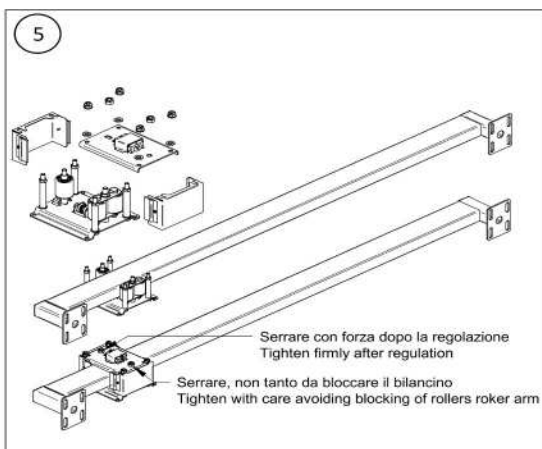
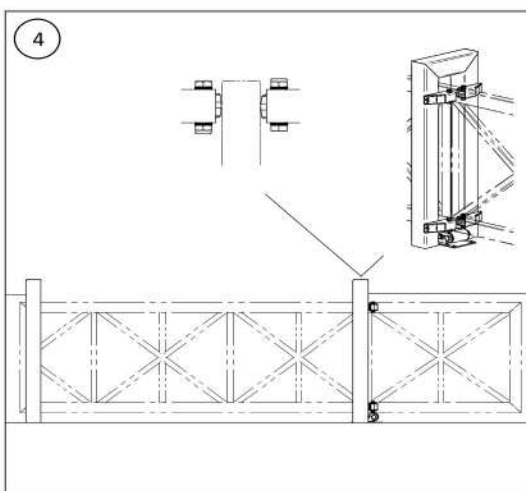
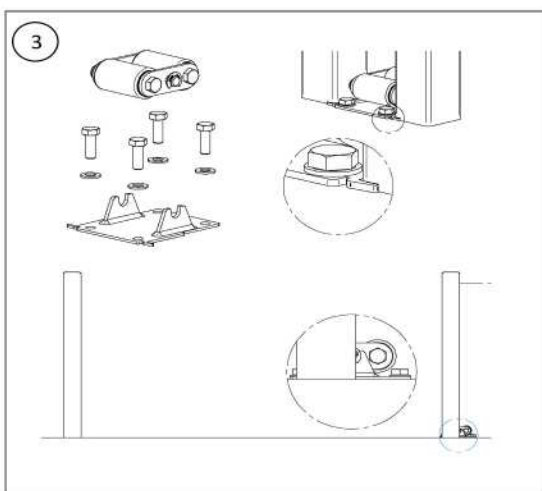
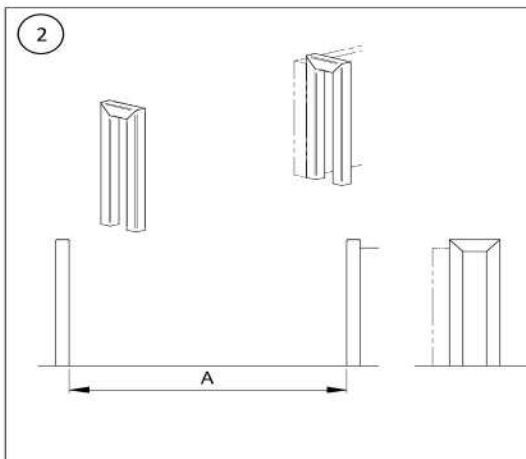
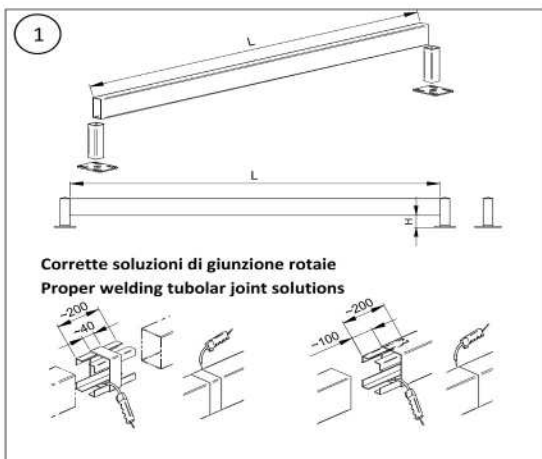
1xVD2100.100/150	1xVD2200.100/150	4xVD2400.N38/i52	Articoli complementari Complementary articles
			
			
2xVD2501.100/150	2xVD2500.100/150	1xVD2300.100/150	



Attention: installations that do not comply with the illustrated procedure or failure to carry out correct maintenance operations can cause the gate to derail and endanger the safety of persons and property



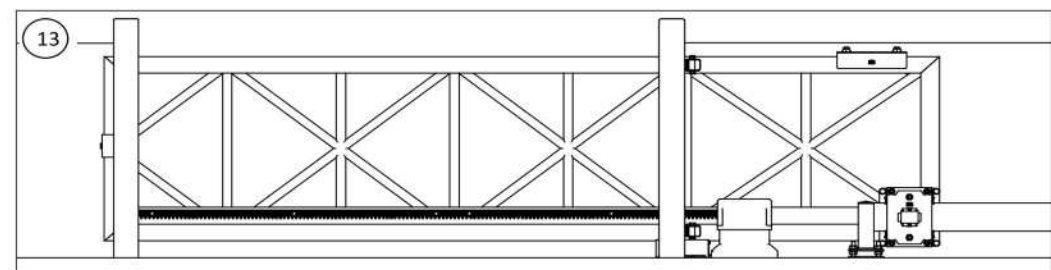
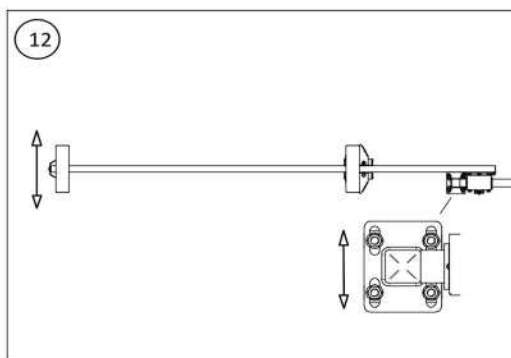
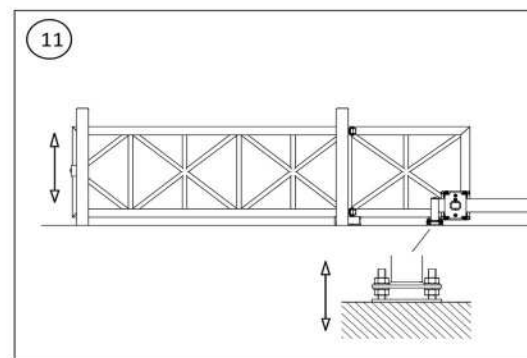
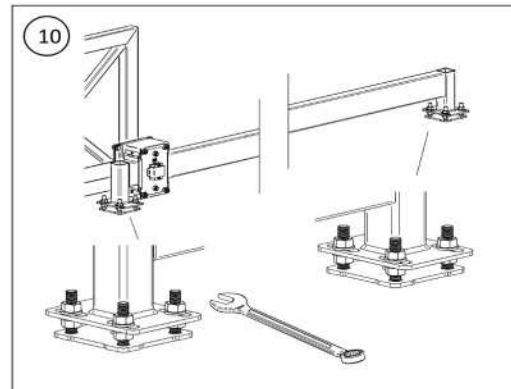
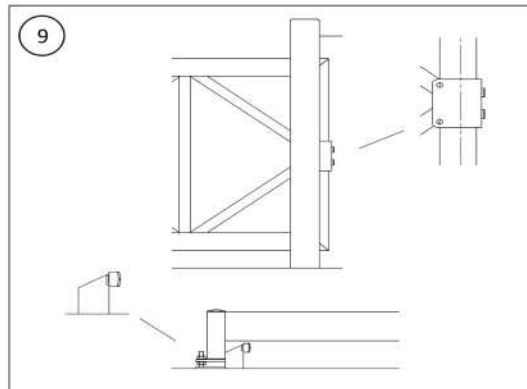
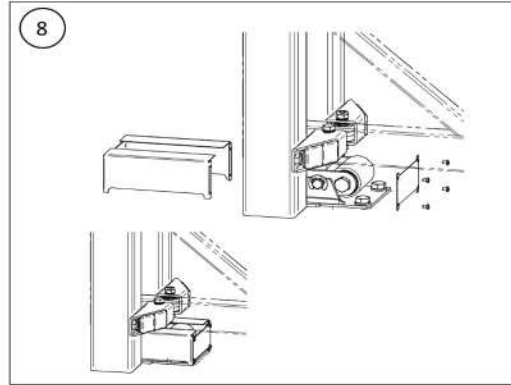
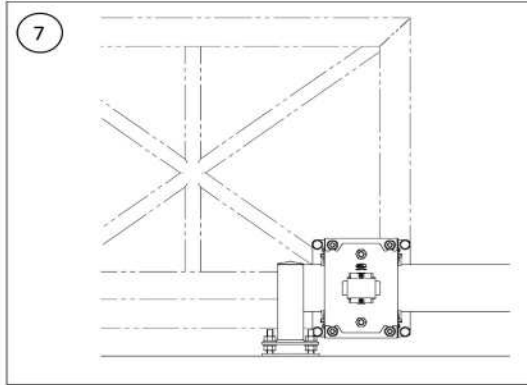
»KIT DE HERRAJES GUARDIAN CANTILEVER



Attention: installations that do not comply with the illustrated procedure or failure to carry out correct maintenance operations can cause the gate to derail and endanger the safety of persons and property



»KIT DE HERRAJES GUARDIAN CANTILEVER

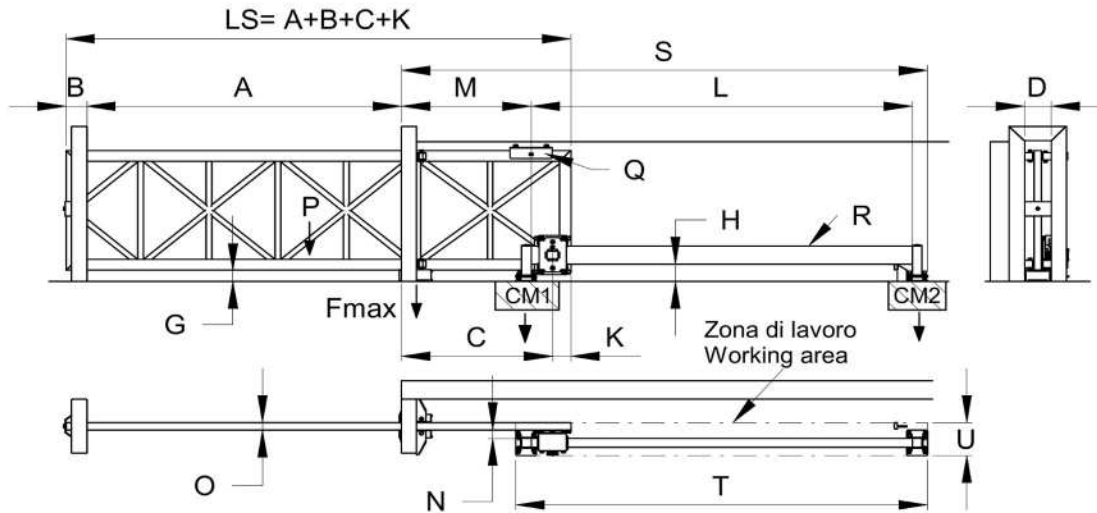


Attention: installations that do not comply with the illustrated procedure or failure to carry out correct maintenance operations can cause the gate to derail and endanger the safety of persons and property



»KIT DE HERRAJES GUARDIAN CANTILEVER

TABELLA DIMENSIONAMENTO-DIMENSIONING TABLE



Serie/Series 100 - KD2100.100

Gmin [m]	Hmin [m]	D [m]	Nmin [mm]	O [mm]	U [m]	Fmax [kg]	Pmax [kg]	CM1min [kg]	CM2min [kg]	K [m]
0,06	0,100	0,140	41,5	40 ÷ 80	0,19÷0,23	950	500	1000	100	0,095

I valori in tabella sono calcolati per un valore di B=0,1

A [m]	C [m]	Smin [m]	R [mm]	L [m]	M [m]	Q (Art.)	T [m]	LS [m]
3	1,24	~4,54	100x50 sp.3	3,32	1,14	/	3,6	4,45
3,5	1,44	~5,24	100x50 sp.3	3,82	1,34	/	4,1	5,15
4	1,64	~5,94	100x50 sp.3	4,32	1,54	/	4,6	5,85
4,5	1,84	~6,64	100x50 sp.3	4,82	1,74	217 - 217L	5,1	6,55
5	2,04	~7,34	100x50 sp.3	5,32	1,94	217 - 217L	5,6	7,25
5,5	2,24	~8,04	100x50 sp.3	5,82	2,14	217 - 217L	6,1	7,95
6	2,44	~8,74	100x50 sp.3	6,32	2,34	217 - 217L	6,6	8,65

Serie/Series 150 - KD2100.150

Gmin [m]	Hmin [m]	D [m]	Nmin [mm]	O [mm]	U [m]	Fmax [kg]	Pmax [kg]	CM1min [kg]	CM2min [kg]	K [m]
0,09	0,175	0,2	56,5	60 ÷ 100	0,29÷0,35	2700	1500	3000	300	0,145

I valori in tabella sono calcolati per un valore di B=0,1

A [m]	C [m]	Smin [m]	R [mm]	L [m]	M [m]	Q (Art.)	T [m]	LS [m]
6	2,44	~8,89	150x100 sp.4	6,45	2,26	/	6,8	8,7
7	2,84	~10,29	150x100 sp.4	7,45	2,66	/	7,8	10,1
8	3,24	~11,69	150x100 sp.4	8,45	3,06	/	8,8	11,5
9	3,64	~13,09	150x100 sp.4	9,45	3,46	218 - 218L	9,8	12,9
10	4,04	~14,49	150x100 sp.4	10,45	3,86	218 - 218L	10,8	14,3
11	4,44	~15,89	150x100 sp.4	11,45	4,26	218 - 218L	11,8	15,7
12	4,84	~17,29	150x100 sp.4	12,45	4,66	218 - 218L	12,8	17,1



Attention: installations that do not comply with the illustrated procedure or failure to carry out correct maintenance operations can cause the gate to derail and endanger the safety of persons and property



»KIT DE HERRAJES GUARDIAN CANTILEVER

Formule utili *Useful formulas*

Serie/Series 100

$$LS=A+B+C+K$$

$$C_{[m]}= 0,4x(A+B)$$

$$S_{[m]}= A+B+C+0,2$$

$$L_{[m]}= A+B+0,22$$

$$M_{[m]}= C-0,1^*$$

$$T_{[m]}= L+0,28^*$$

Serie/Series 150

$$LS=A+B+C+K$$

$$C_{[m]}= 0,4x(A+B)$$

$$S_{[m]}= A+B+C+0,35$$

$$L_{[m]}= A+B+0,35$$

$$M_{[m]}= C-0,18$$

$$T_{[m]}= L+0,35$$

Maintenance

To maintain these parts in good and safe working conditions it is necessary to follow these steps:

1. After gate assembly is completed, perform a few manual opening and closing cycles, make sure there are no loose parts and periodically lubricate all the system.
2. In case of accidental shock caused by moving vehicles or other external factors, check parts for external damages. In case of irreparable damage, replace with a new part. Always check the gate by manually opening a few opening opening and closing cycles. All maintenance procedures must be performed by trained technicians.
3. If the gate has any difficulty of movement or in presence of abnormal oscillations, the gate must be checked for worn parts replaced if necessary. Gates working in harsh ambient conditions, such as; high humidity, salt, acids, dust or temperatures above 120°C will require special attention and frequent maintenance.
4. For motorized gates, pay special attention when selecting the operational speed. Soft starts and stops are highly recommended:
 - High speed of operation, and hard starts and stops will be stressful to the system and it may result in loosen nuts, bolts and irreparable damage.



Attention: installations that do not comply with the illustred procedure or or failure to carry out correct maintenance operations can cause the gate to derail and endanger the safety of persons and propriety

