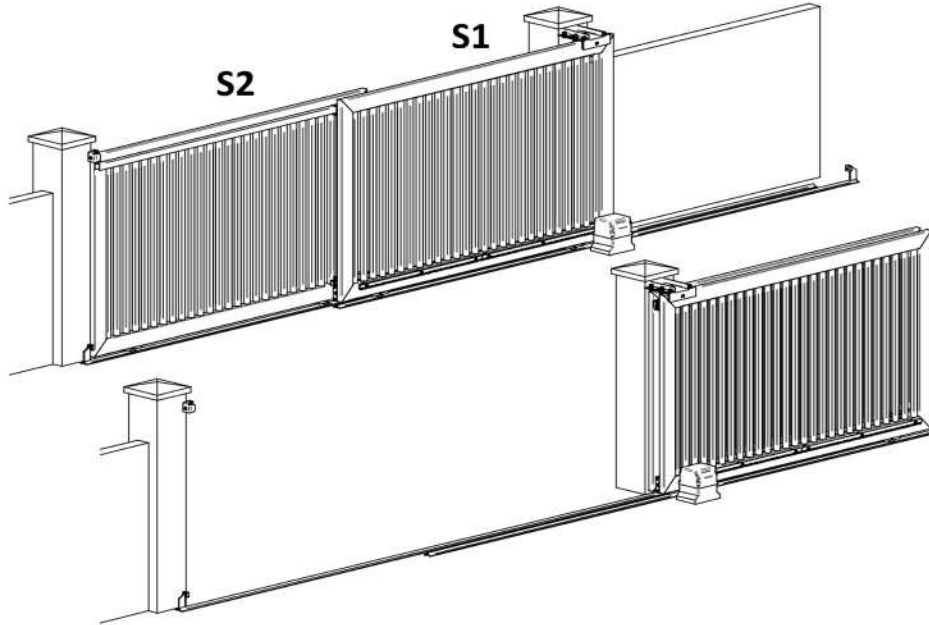


»KIT DE HERRAJES TELESCOPICOS 2 HOJAS

KIT TELESCOPIC 2 LEAFS

This kit is made of galvanized steel ideal for installation on cantilever gates. A stainless steel wire is used to transfer the telescopic motion. A gate with this system can be motorized. The leaves moves simultaneously sliding on ground rails and have the advantage of taking less space compared to a single ground track cantilever gate when the gate is in the open position. This feature makes the product ideal for sites where space is limited.



Family of parts
KA5100

Elenco parti - Component list

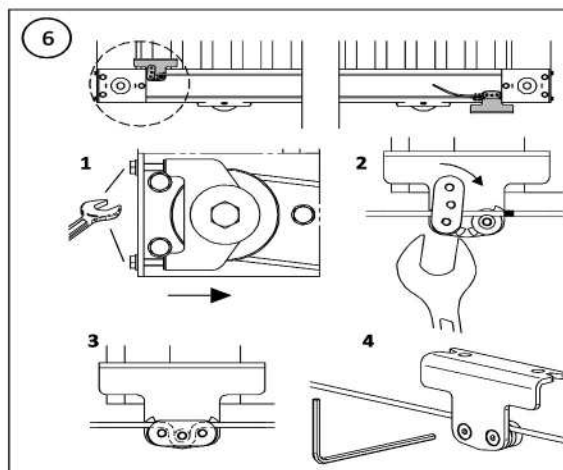
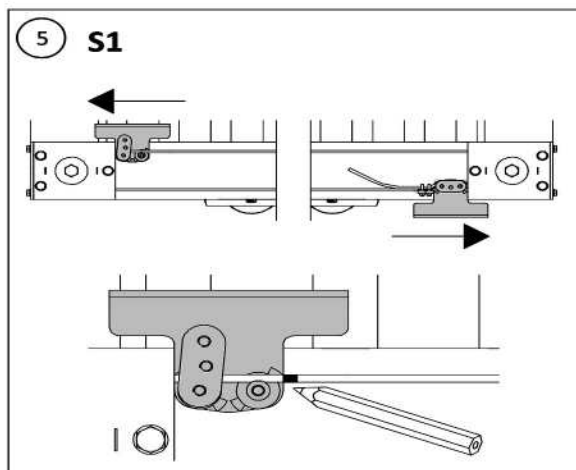
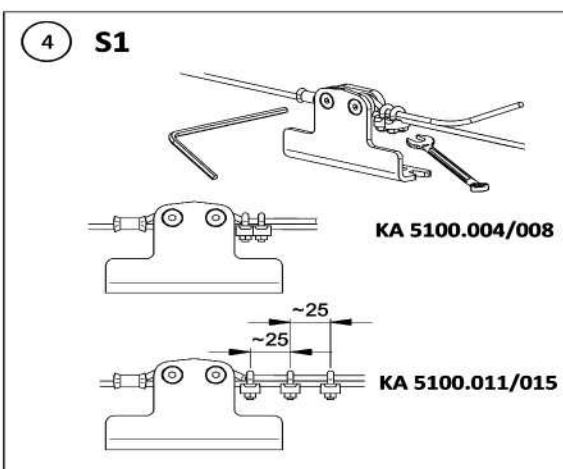
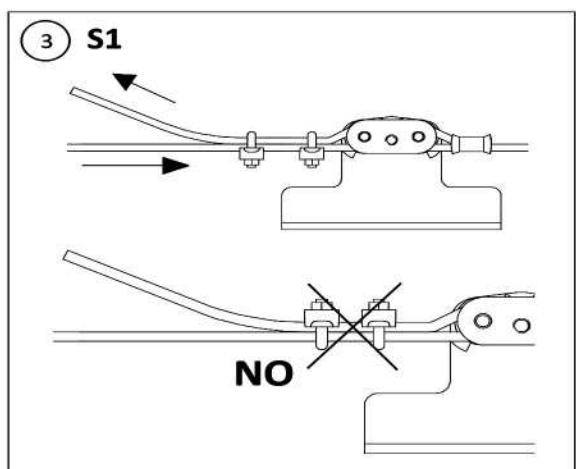
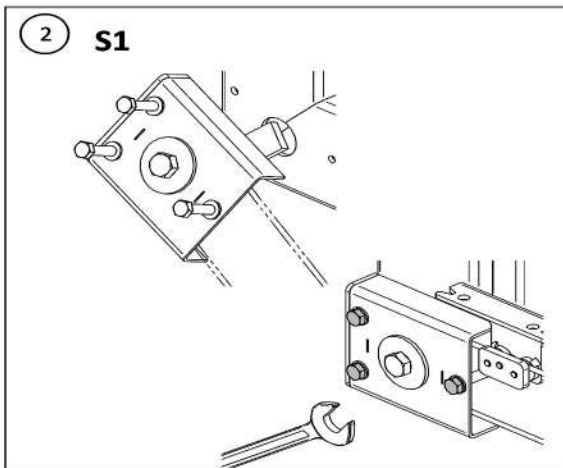
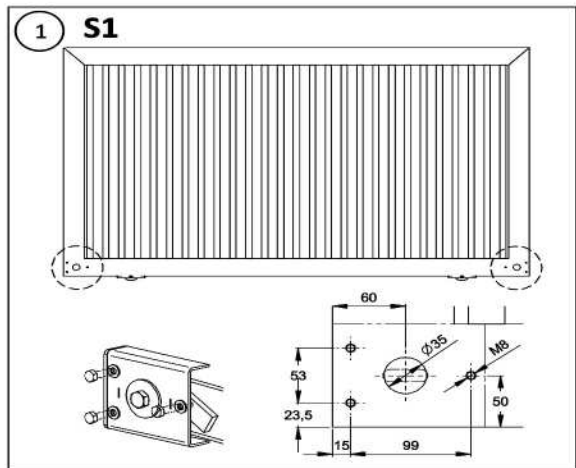
1xVA5101.004/008/011/015 	1xVA5201.004 	1 x VA3501.A30/B40 
1-2xVA3502.N34 	1-2-3-4xVA5301.002 	VA5401.003/006 Optional 



Attention: installations that do not comply with the illustrated procedure or failure to carry out correct maintenance operations can cause the gate to derail and endanger the safety of persons and property



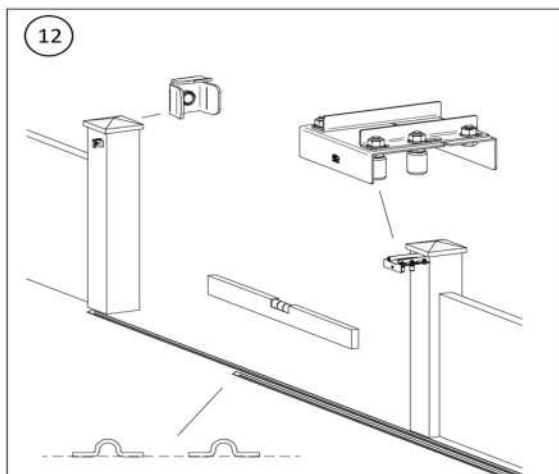
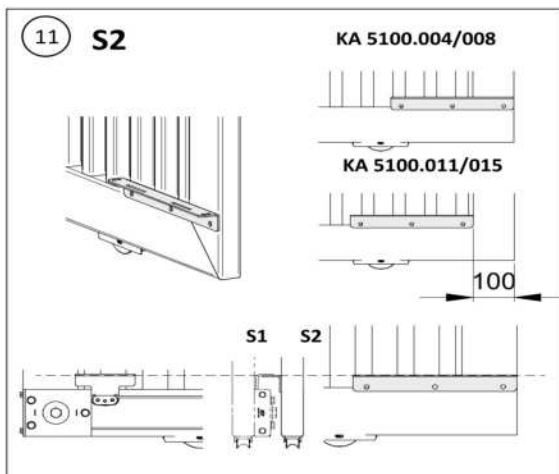
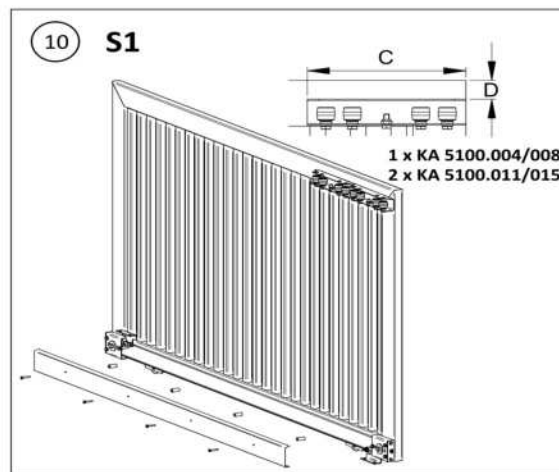
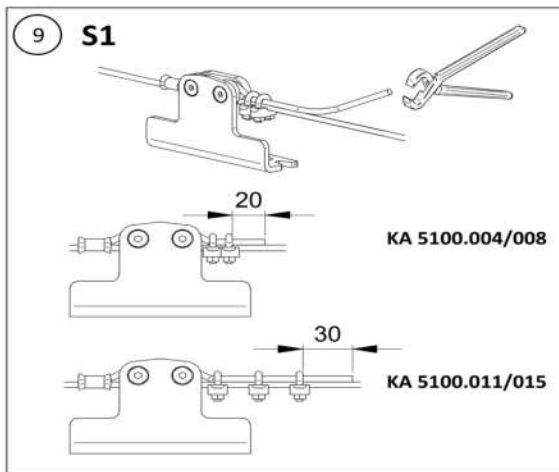
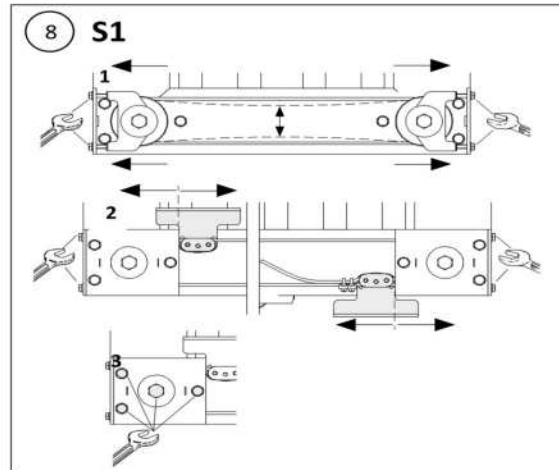
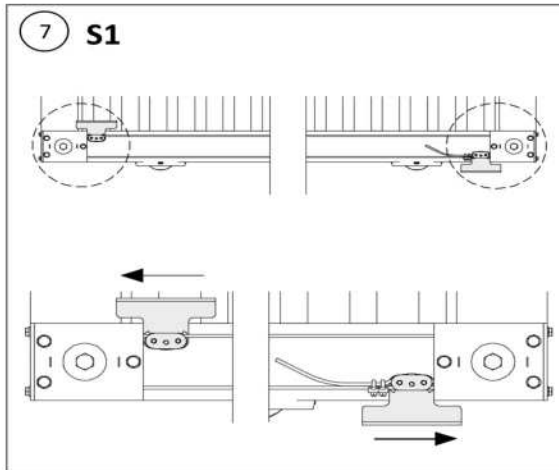
»KIT DE HERRAJES TELESCOPICOS 2 HOJAS



Attention: installations that do not comply with the illustrated procedure or failure to carry out correct maintenance operations can cause the gate to derail and endanger the safety of persons and property



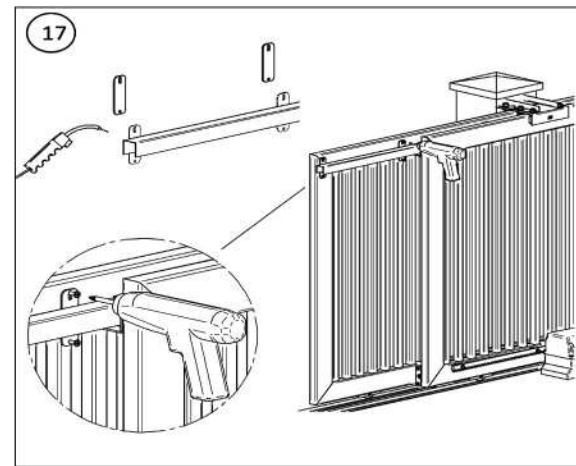
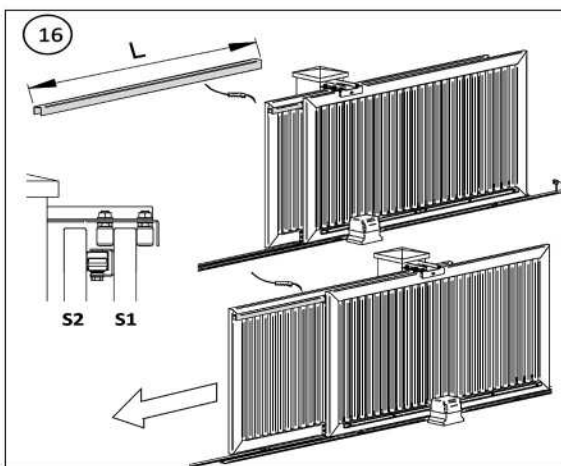
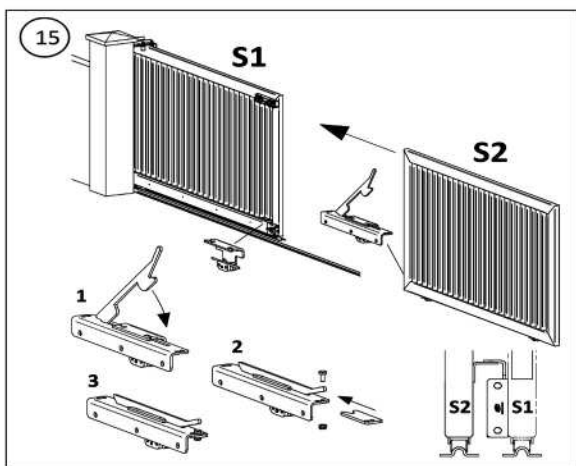
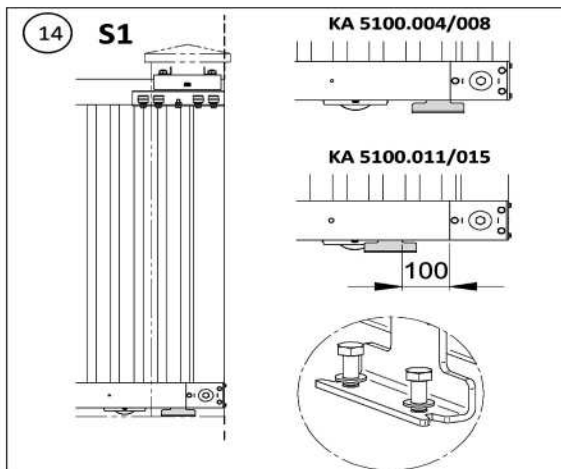
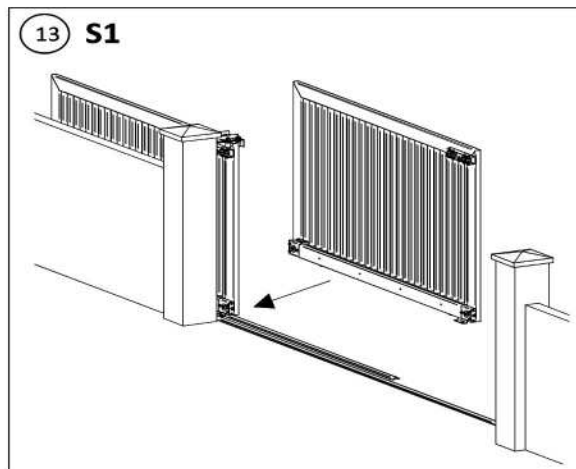
»KIT DE HERRAJES TELESCOPICOS 2 HOJAS



Attention: installations that do not comply with the illustrated procedure or failure to carry out correct maintenance operations can cause the gate to derail and endanger the safety of persons and property



»KIT DE HERRAJES TELESCOPICOS 2 HOJAS



Attention: installations that do not comply with the illustrated procedure or failure to carry out correct maintenance operations can cause the gate to derail and endanger the safety of persons and property

(229) 288-1552

portonesautomaticos@adsver.com.mx
portonesautomaticos@prodigy.net.mx



V07.17

»KIT DE HERRAJES TELESCOPICOS 2 HOJAS

TABELLA DIMENSIONAMENTO - DIMENSIONING TABLE

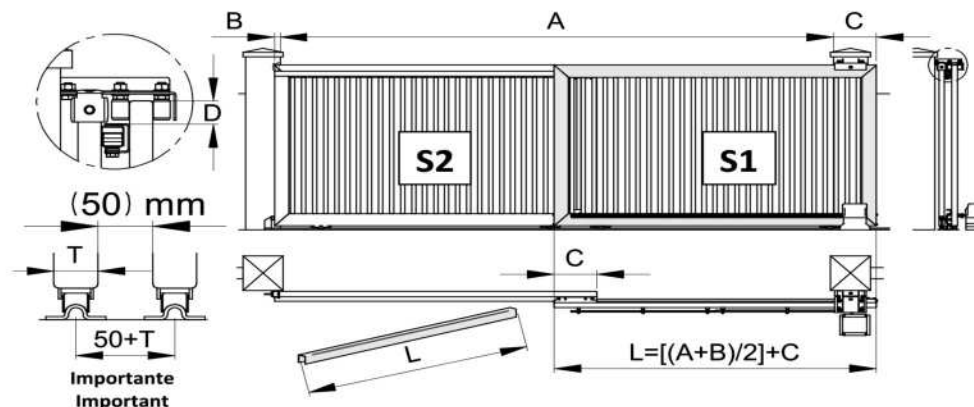


TABELLA DIMENSIONI - DIMENSION TABLE

Codice/ Code	A max [m]	C [mt]	D min [mm]	S2 max [kg]
KA 5100.004	4	0,3	50	300
KA 5100.008	8	0,3	50	300
KA 5100.011	11,4	0,6	70	400
KA 5100.015	15,4	0,6	70	400

DIMENSIONAMENTO ANTE - SECTIONS DIMENSIONING

Apertura Opening [A]	Codice kit Kit Code	L [mt] con/with B=0,08
3	KA 5100.004	1,84
4	KA 5100.004	2,34
5	KA 5100.008	2,84
6	KA 5100.008	3,34
7	KA 5100.008	3,84
8	KA 5100.008	4,34
9	KA 5100.011	5,14
10	KA 5100.011	5,64
11	KA 5100.011	6,14
12	KA 5100.015	6,64
13	KA 5100.015	7,14
14	KA 5100.015	7,64
15	KA 5100.015	8,14

Esempio misure fuori tabella Example dimensions not in table

A=3,5mt

B=0,06mt (che sceglierete voi/that you choose)

C=0,3mt (da tabella sopra/from above table)

$$L = [(A+B)/2] + C$$

$$L = [(3,5+0,06)/2] + 0,3$$

$$L = [(3,56)/2] + 0,3$$

$$L = 1,78 + 0,3$$

$$L = 2,08$$

Maintenance

To maintain these parts in good and safe working conditions it is necessary to follow these steps:

1. After gate assembly is completed, perform a few manual opening and closing cycles, make sure there are no loose parts and periodically lubricate all the system.
2. In case of accidental shock caused by moving vehicles or other external factors, check parts for external damages. In case of irreparable damage, replace with a new part. Always check the gate by manually opening a few opening opening and closing cycles. All maintenance procedures must be performed by trained technicians.
3. If the gate has any difficulty of movement or in presence of abnormal oscillations, the gate must be checked for worn parts replaced if necessary. Gates working in harsh ambient conditions, such as; high humidity, salt, acids, dust or temperatures above 120°C will require special attention and frequent maintenance.
4. For motorized gates, pay special attention when selecting the operational speed. Soft starts and stops are highly recommended:
 - High speed of operation, and hard starts and stops will be stressful to the system and it may result in loosen nuts, bolts and irreparable damage.
 - Low operational speeds may cause an elastic effect between the leaves



Attention: installations that do not comply with the illustred procedure or or failure to carry out correct maintenance operations can cause the gate to derail and endanger the safety of persons and propriety

