

»KIT DE HERRAJES TELESCOPICOS MULTIHOJAS

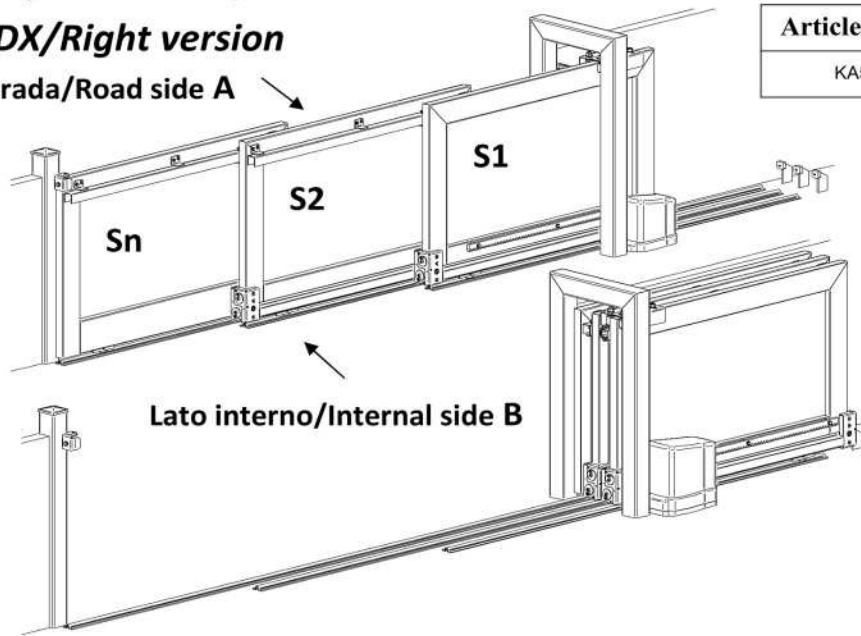
ARTICLES FOR TELESCOPIC SLIDING MULTI-LEAVES GATE

Description

The Kit parts are made in galvanized steel optimized for use on telescopic sliding gates having up to 3 leaves . For use with 4 leaves is possible, but we recommend special attention and care. In such cases, pay particular attention to any friction and the free sliding of the leaves. A reduction gear may be required. The kit is designed to be mounted on right side (for the left side version consult the specific manual section)

Versione DX/Right version

Lato strada/Road side A



Articles family

KA5102

Lato interno/Internal side B

Lista Componenti/Componet list

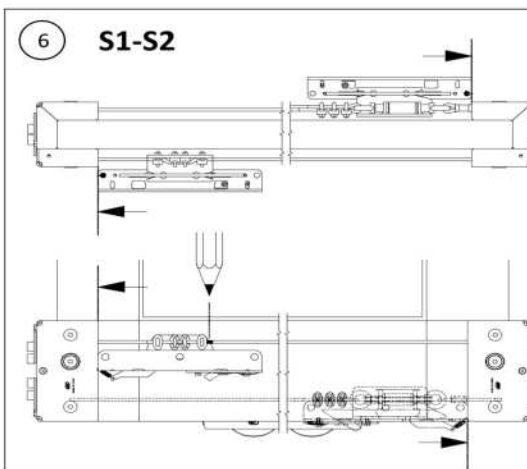
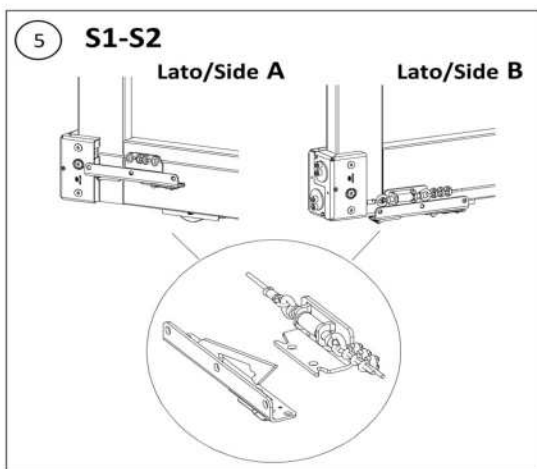
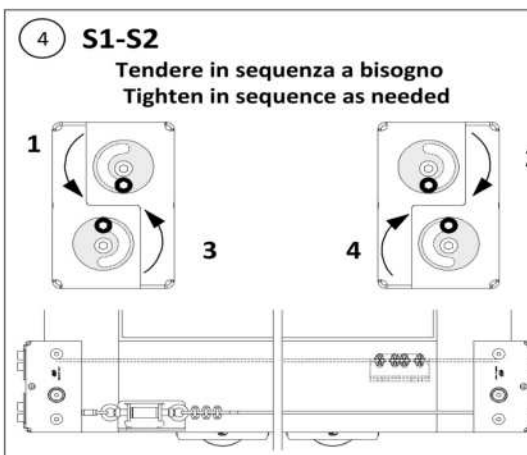
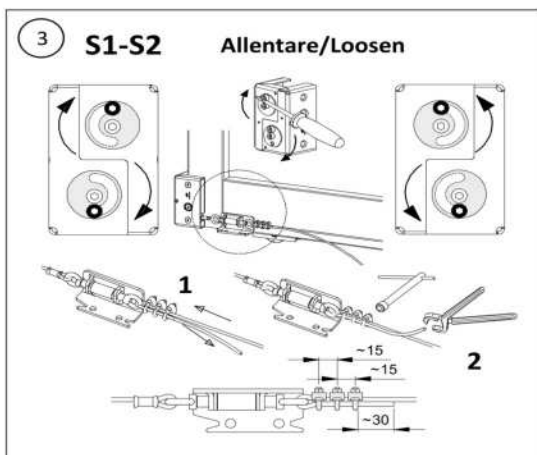
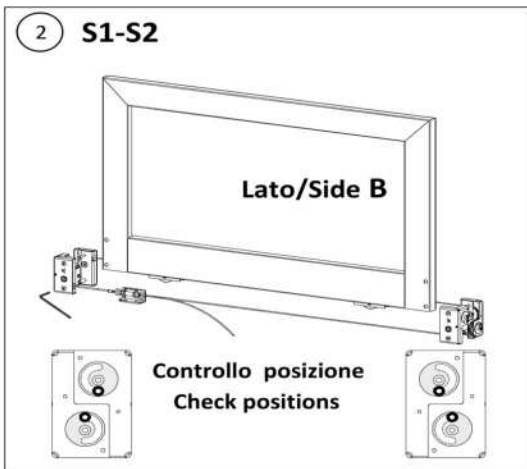
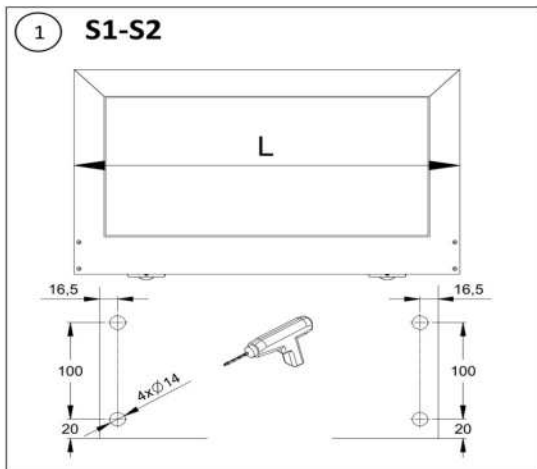
1xVA5102.002/004	1xVA5202.004	1xVA3502.N34	4-7xVA5302.001
			
1xVA3203.A30/B40 Optional	VA5401.003/006 Optional	VA5411.001 Optional	VA5312.001 Optional
			



Attention: installations that do not comply with the illustrated procedure or failure to carry out correct maintenance operations can cause the gate to derail and endanger the safety of persons and property



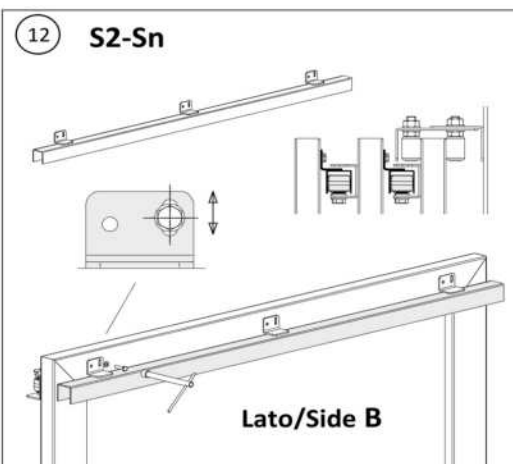
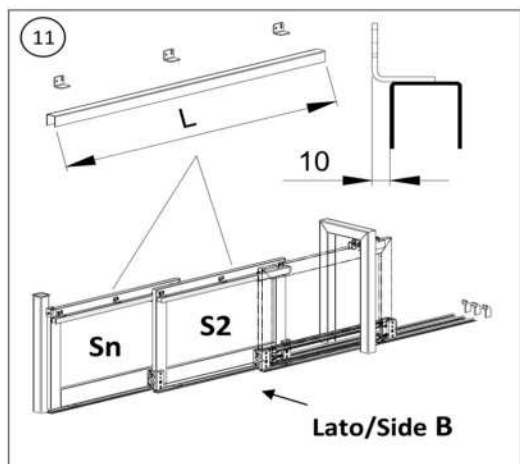
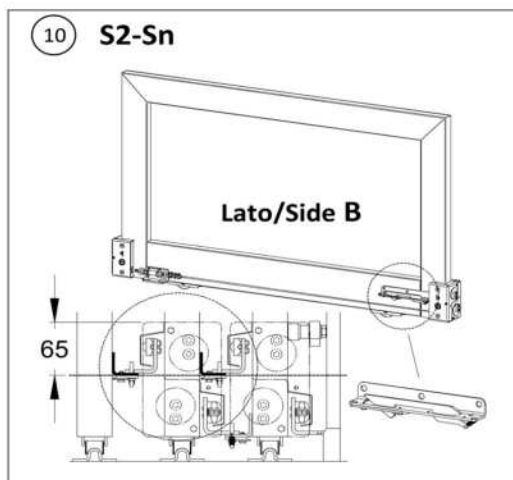
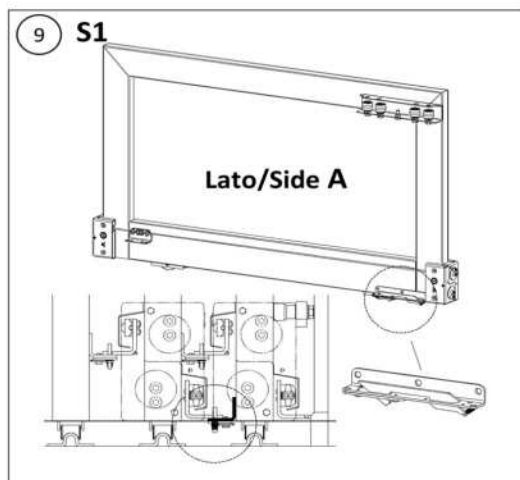
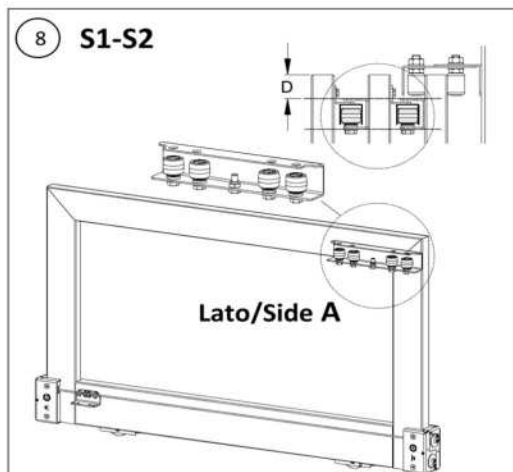
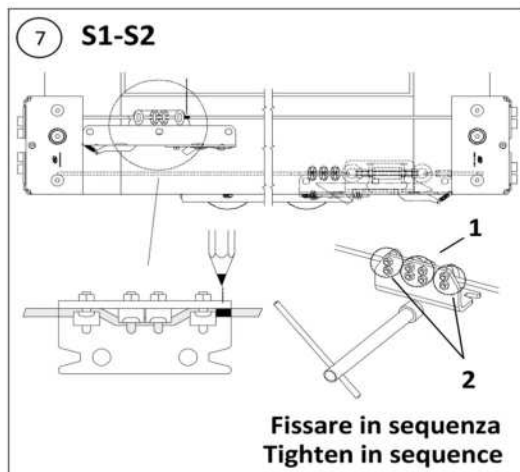
»KIT DE HERRAJES TELESCOPICOS MULTIHOJAS



Attention: installations that do not comply with the illustrated procedure or failure to carry out correct maintenance operations can cause the gate to derail and endanger the safety of persons and property



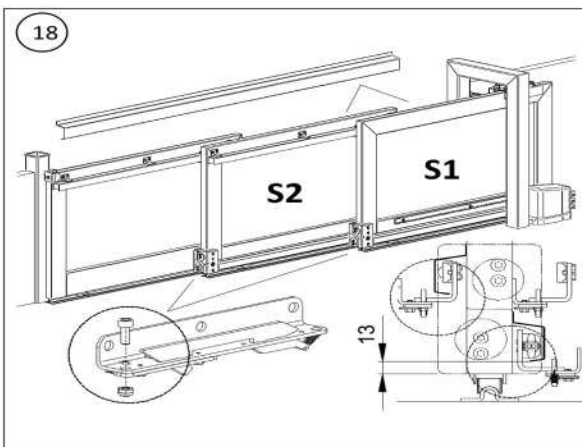
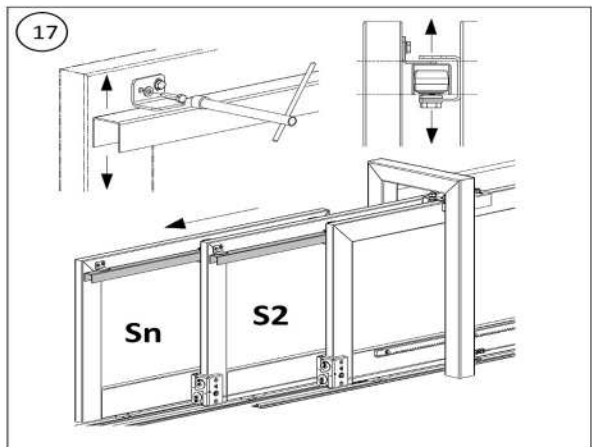
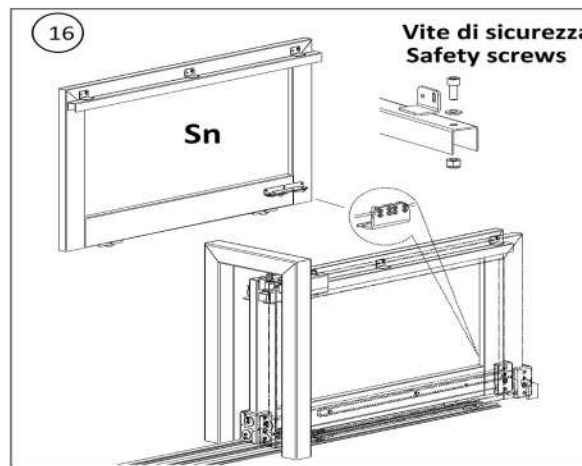
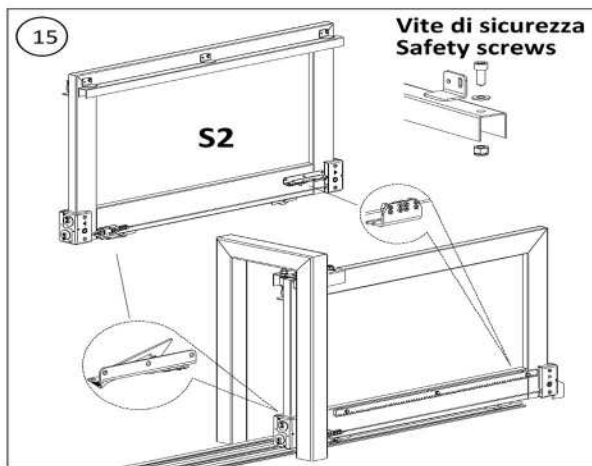
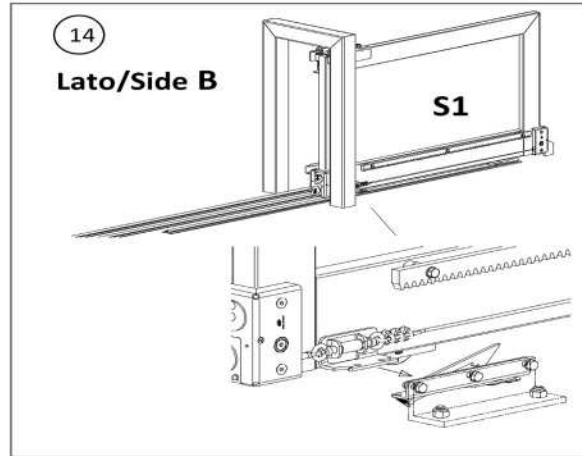
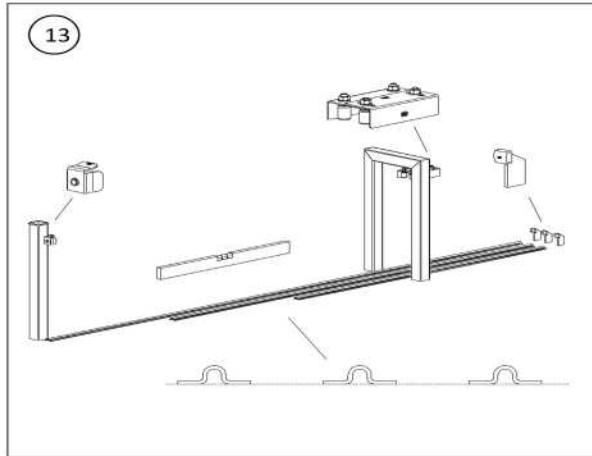
»KIT DE HERRAJES TELESCOPICOS MULTIHOJAS



Attention: installations that do not comply with the illustrated procedure or failure to carry out correct maintenance operations can cause the gate to derail and endanger the safety of persons and property



»KIT DE HERRAJES TELESCOPICOS MULTIHOJAS



Attention: installations that do not comply with the illustrated procedure or failure to carry out correct maintenance operations can cause the gate to derail and endanger the safety of persons and property

(229) 288-1552

portonesautomaticos@adsver.com.mx
portonesautomaticos@prodigy.net.mx

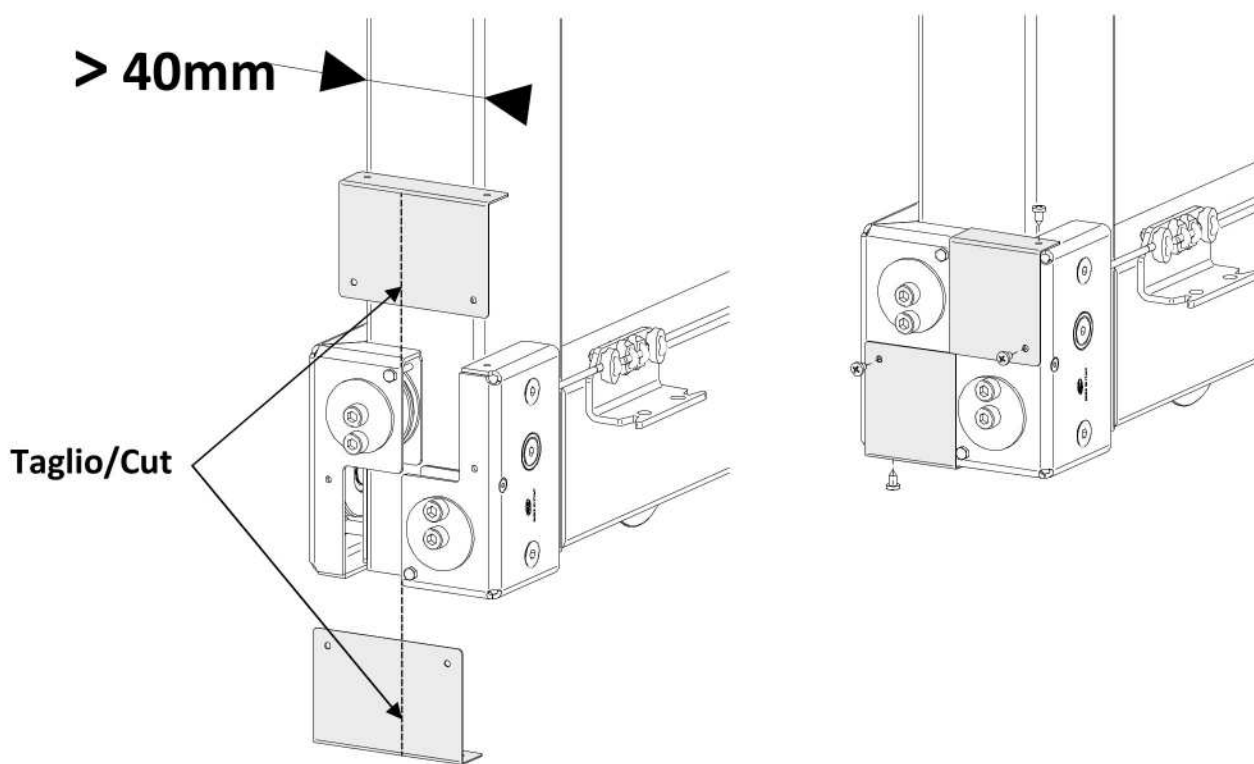


V07.17

»KIT DE HERRAJES TELESCOPICOS MULTIHOJAS

19 S1-S2

Carter di copertura optional per tubolari > 40 mm / Optional Carter for tubolar > 40mm



Attention: installations that do not comply with the illustrated procedure or failure to carry out correct maintenance operations can cause the gate to derail and endanger the safety of persons and property

(229) 288-1552

portonesautomaticos@adsver.com.mx
 portonesautomaticos@prodigy.net.mx



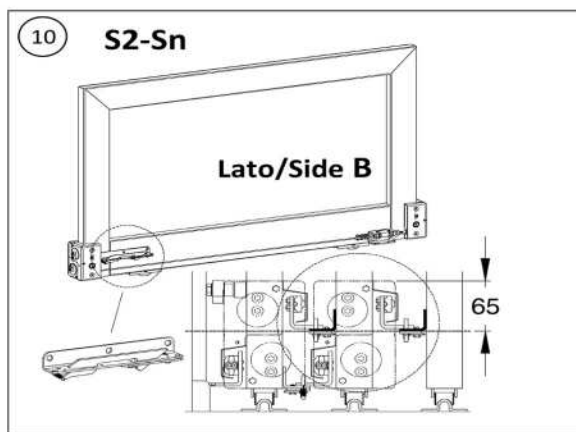
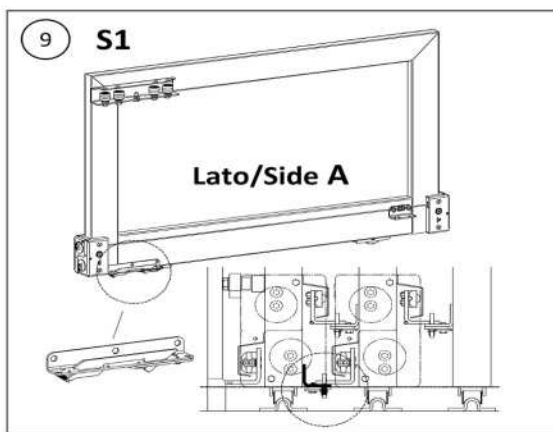
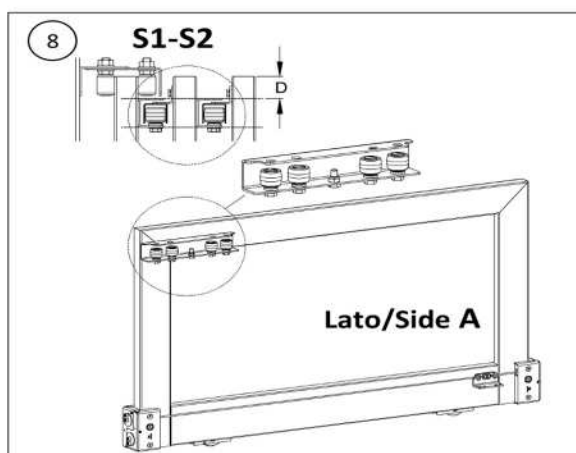
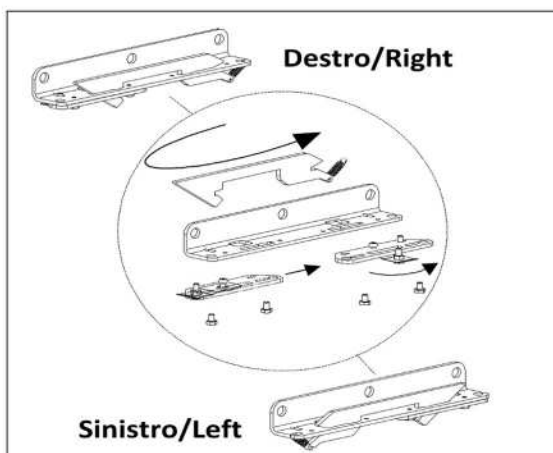
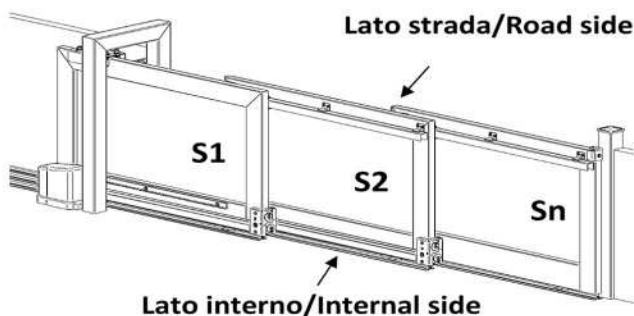
V07.17

»KIT DE HERRAJES TELESCOPICOS MULTIHOJAS

Versione Sinistra/Left version

Stesse istruzioni ma da interpretare in senso opposto/ Same instructions but to be interpreted in the opposite direction
 Attenzione soprattutto ai punti sotto indicati/ Pay attention to the points listed below

- Rimontare tutti i kit aggancio nel verso opposto/ Install all the kit coupling in the opposite direction
- Preparare le ante (fig. 8-9-10) in modo opposto/ Prepare the leaves (imm. 8-9-10) in the opposite way

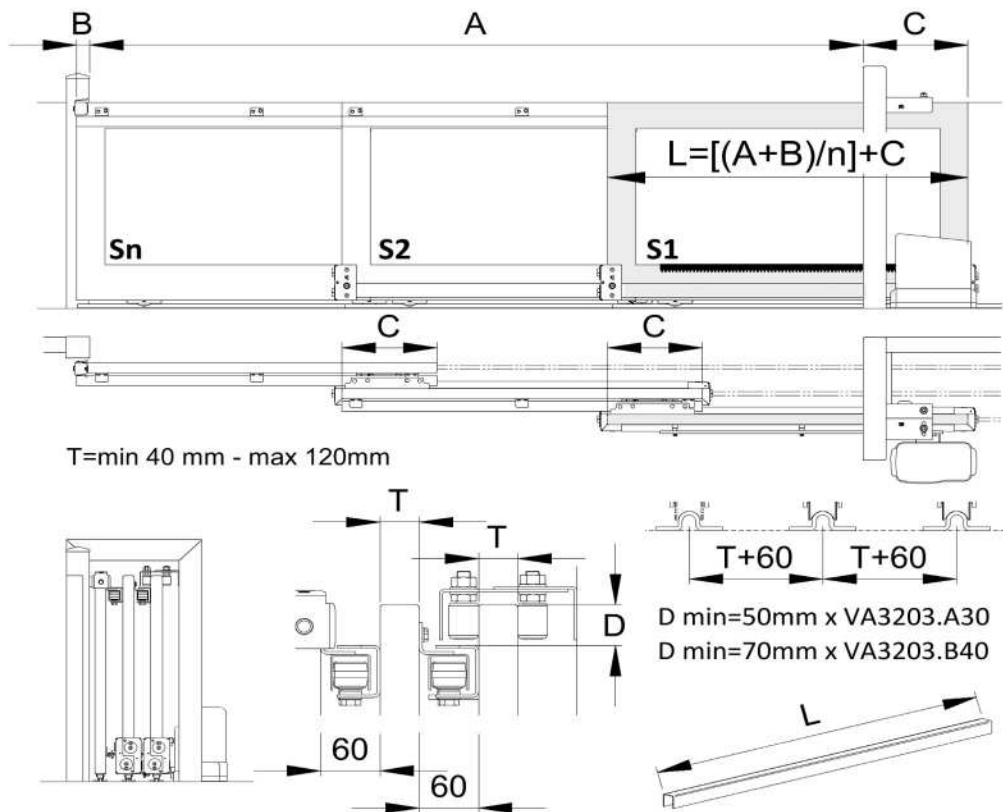


Attention: installations that do not comply with the illustrated procedure or failure to carry out correct maintenance operations can cause the gate to derail and endanger the safety of persons and property



»KIT DE HERRAJES TELESCOPICOS MULTIHOJAS

TABELLA DIMENSIONAMENTO - DIMENSIONING TABLE



DIMENSIONAMENTO ANTE - LEAF DIMENSIONING

Apertura Opening A(m)	L(m) dipende dal numero di ante con B=0,08m L(m) depending on the number of leaves with B=0,08m					
	n=2 Ante-Leaves			n=3 Ante-Leaves		
	C(m) min	L(m)	Kit	C(m) min	L(m)	Kit
3	0,35	1,89	1xKA5102.002	0,35	1,38	2xKA5102.002
4	0,35	2,39	1xKA5102.002	0,35	1,71	2xKA5102.002
5	0,35	2,89	1xKA5102.004	0,35	2,04	2xKA5102.002
6	0,35	3,39	1xKA5102.004	0,35	2,38	2xKA5102.002
7	0,35	3,89	1xKA5102.004	0,35	2,71	2xKA5102.004
8	0,35	4,39	1xKA5102.004	0,35	3,04	2xKA5102.004
9	0,35	-	-	0,35	3,38	2xKA5102.004
10	0,35	-	-	0,35	3,71	2xKA5102.004
11	0,35	-	-	0,35	4,04	2xKA5102.004
12	0,35	-	-	0,35	4,38	2xKA5102.004
Peso max x anta (Kg) Max leaf weight (Kg)	400			200		



Attention: installations that do not comply with the illustrated procedure or failure to carry out correct maintenance operations can cause the gate to derail and endanger the safety of persons and property



»KIT DE HERRAJES TELESCOPICOS MULTIHOJAS

Esempio calcolo lunghezza anta L x misure fuori tabella
Example leaf calculation length L x measures not in table

$n=3$ (numero ante/leaves number)

$A=9,6\text{mt}$
 $B=0,06\text{mt}$
 $C=0,35\text{mt}$ (da tabella sopra/from above table)

$L=[(A+B)/n]+C$
 $L=[(9,6+0,06)/3]+0,35=3,57\text{mt}$

Esempio scelta kit
Example kit choice

A/n fino a 2mt KA5102.002 - A/n up to 2 meters KA5102.002
 A/n maggiore di 2 fino a 4 KA5102.004 - A/n greater than 2 up to 4 KA5102.004

$A=9,6\text{mt}$
 $n=3$
 $9,6/3 = 3,2\text{mt}$ Kit KA5102.004

Numero kit/ kit number = $n-1$ $3-1 = 2$

Maintenance

To maintain these articles in good and safe working conditions it is necessary to follow these steps:

1. After assembly, perform some manual opening and closing cycles, and search for loosen parts or elements that may create resistance due to friction on other parts. Periodically, check for cable slack and make sure the system is properly lubricated.
2. In case of shock or accidental hit caused by vehicles, or other external factors, perform a detail check and a manual opening and closing cycle and make sure the leaves move freely. Make sure the gate operation and functionality is not compromised.
3. In case of difficulty of movement, or if abnormal oscillations are present during operation (in particular after years of operation) check for possible wear in all wheels or items that are subject to wear. Replace worn parts if necessary. Important Note: using steel parts under extreme conditions such as high humidity, salt, acids, dust or temperatures above 120 ° C will reduce the working life expectancy of the bearing.
4. In case of motorized gates, pay special attention to the selection and calibration of the operational speed:
 - A high speed during operation, as well as hard starting and stopping, will stress the structure of the system and may result in a constant maintenance requirement.
 - A too low speed, could cause an elastic effect between the leaves during motion.



Attention: installations that do not comply with the illustrated procedure or failure to carry out correct maintenance operations can cause the gate to derail and endanger the safety of persons and property

