



» HERRAJE PARA PORTON CORREDIZO CURVO MOD. TANGENT-301H

## Tangent 301H

**FOR FOLDING WOOD OR METAL DOORS**

### Round the corner

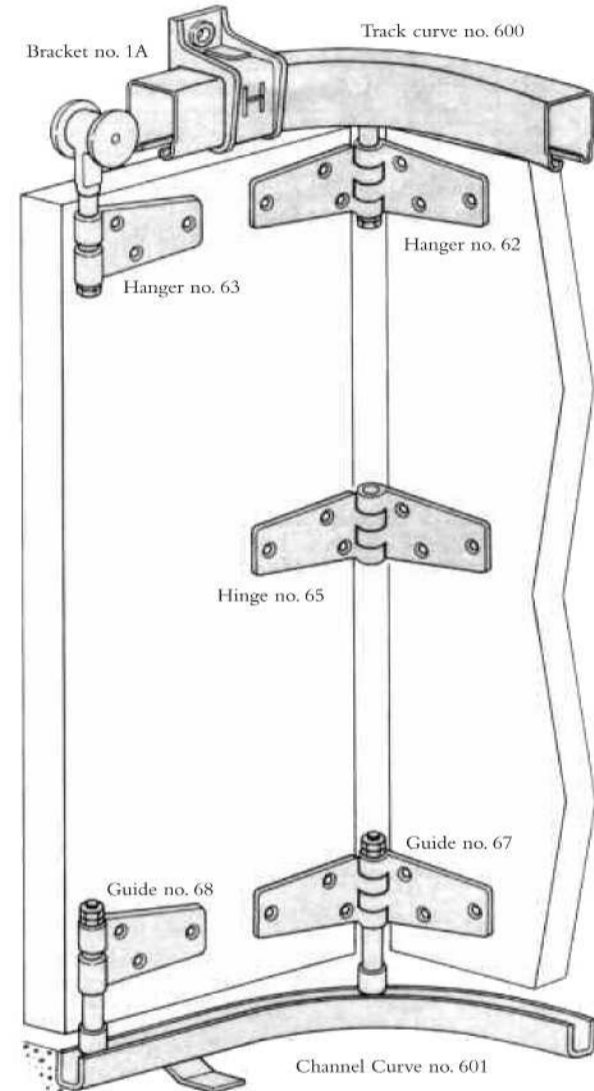
Robust top-hung door gear for round-the-corner residential, commercial or light industrial, wood or metal folding doors; deluxe fittings are also available in polished or satin anodised aluminium finishes. The doors leaves may be panelled, flush or glazed. Four systems are available to suit door leaf weights up to 80kg.

### COMPONENTS

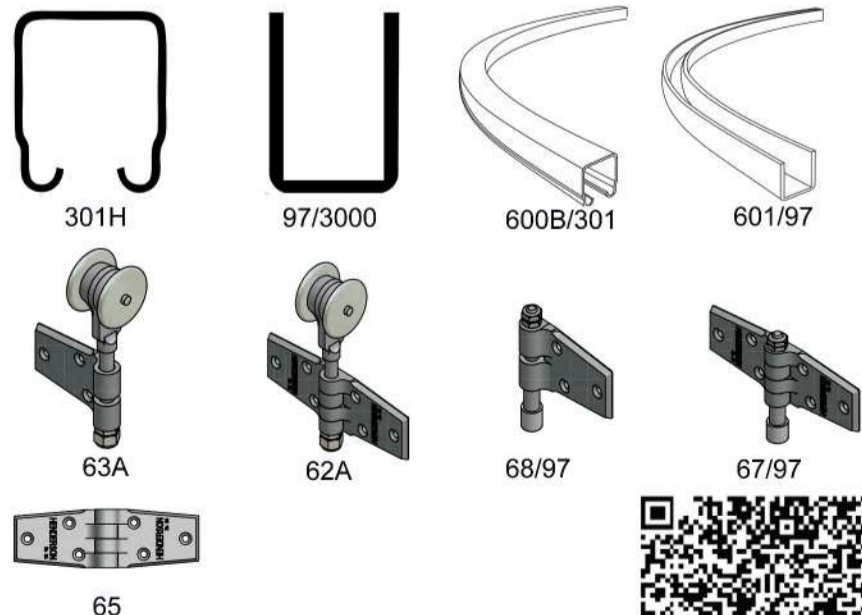
Components supplied include: track; track curves; support and jointing brackets; hangers; hinges; guides; bottom channel; channel curves; full range of accessories. (All steel parts are galvanised) Consult our Technical Sales Team or 'Expert' Service for guidance on quantities (see table for maximum door leaf width and drawing for door leaf detail).

### INSTALLATION NOTES *(also see drawing)*

Hinges should be fixed to framing and joints of the door. For smooth operation, only 3-5 leaves should be hinged in one unit; any number of units may be used, sliding to one or both sides. The end door leaf under the curve normally forms a swinging access door (see plan for details). Typical installation detail drawings are also available.



### CHOICE OF GEARS



V05.16



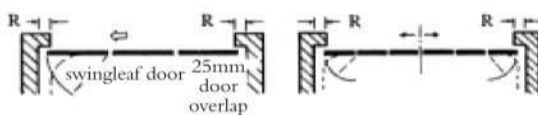
Read across to required door leaf weight and height, then read downwards.

<b>Tangent Round-the-corner System No.</b>	301H
<b>Maximum Door Leaf Height</b>	3600mm
<b>Maximum Door Leaf Weight</b>	70kg
<b>Maximum Door Leaf Width (minimum 711mm)</b>	900mm
<b>Door Leaf Thickness</b>	45-55mm
<b>Track</b> Front track = opening width + reveal R - 800 Side track = opening width Available lengths: 1.8, 2, 2.5, 3, 4 & 6m	301H
<b>Track Curves</b> Require 1, or 2 for biparting doors	600BH
<b>Brackets</b> - face fixing Fix every 900mm max and at track joints and curves Fix jointing brackets/sleeve at both curved ends	1A/301 4RX/301TS
<b>Hangers</b> 1 per door leaf joint and end leaf	Intermediate leaves 62A End Leaf 63A
<b>Hinges</b> 3 in height*	65
<b>Guides</b> - 1 per door leaf joint and end leaf	Intermediate Leaves 67/97 End Leaf 68/97
<b>Channel</b> - Same length as track <b>Channel Curve</b> - No. as track curves	97 601/97
<b>Bow Handles</b> 1 every 2 leaves	463
<b>Flush Pull</b> 1 every 2 leaves	414
<b>Roller Bolt</b> 1 per swingleaf door	994R/97

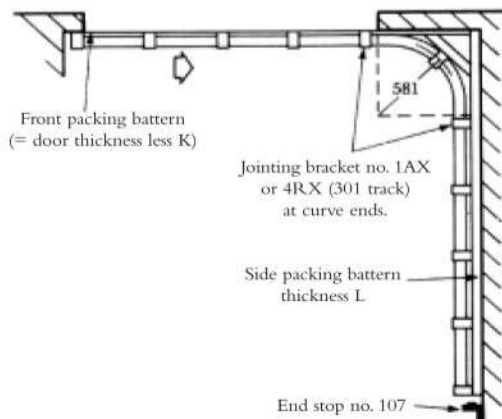
\* Increase to 4 for doors over 3000mm high.

Fit offset bolt 994X on doors with trailing swingleaf, on all fixed units, unit of 5 leaves and biparting units.

### EXAMPLE PLAN DETAILS



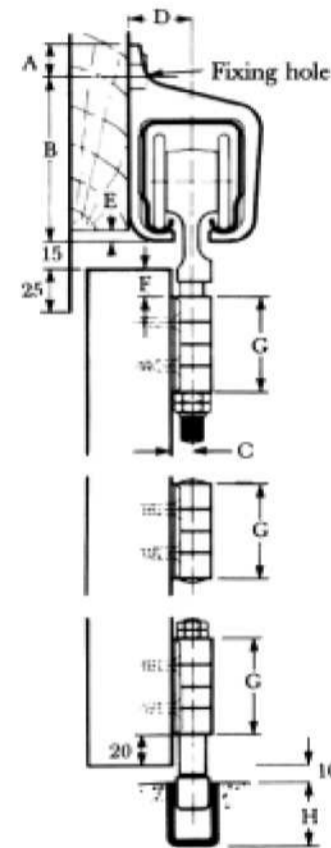
For convenient locking R should not exceed 360mm, but 115mm-230mm is ideal. If the swingleaf under the curve is not required R should be a min. of 690mm to accommodate the corner curve.



All dimensions are in mm.

### HOW TO CHOOSE YOUR DOOR HARDWARE

### SECTION DETAILS



### DIMENSIONS

TRACK	A	B	C	D	E	F	G	H	J	K	L
301H	20	97	11	35	6	15	57	25	M12	16	70



V05.16