

»OPERADOR INVERTER 45M2 16M CAD 90NM 220V MARCA POWEVER MOD.C90.

## Industrial Sectional Door Servo System

Model C90 /90N.M/1100W Industrial Sectional Door Servo System



### Control Cabinet

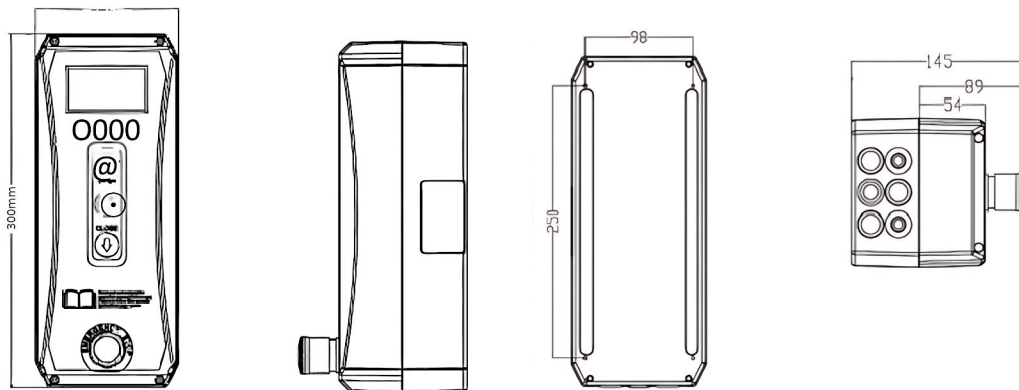
Model : Industrial Sectional Door C90  
 Rated Torque : 90N.M  
 Display : LCD Monitor



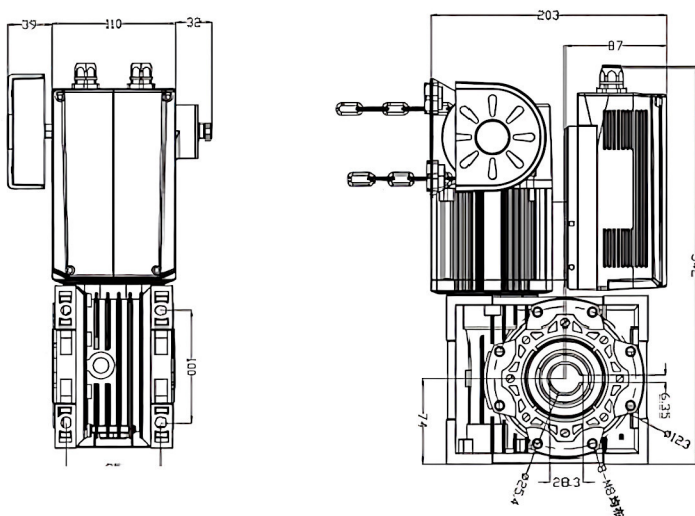
### Motor Drive Unit

Model : Industrial Sectional Door C90  
 Power Supply : 1N~AC200-240  
 Default Line Length : 9M  
**Max Matching Area : 40M<sup>2</sup>**

#### Dimension: Control Cabinet



#### Dimension: Motor Drive Unit



CÓDIGO	SKU	MODELO	DESCRIPCIÓN
PV-00013-KIT	C90-DW4	C90-DW4	OPERADOR INV 45M2 16M CAD 90NM 220V



»OPERADOR INVERTER 45M2 16M CAD 90NM 220V MARCA POWEVER MOD.C90.

Specifications

Basic Parameters		C90
Rated Torque		90N.m
Power		1100W
Reducer Specifications		RV63 1:80
Output Rated Speed		30 rpm
<b>Recommended Max Matching Area</b>		<b>40m<sup>2</sup></b>
Power Supply		1N~AC110V/220V/380V
Frequency		50/60 Hz
Current		19A~110V/10A-220V
Max Limit Circle		40
Motor IP Level		IP54
Hand Chain Length		8m
Default Line Length		9m
Working Temperature		20°C-50°C
Functions Features		
Display		LCD Monitor
Limit mode		Electronic Limit
Slow Start and Slow Stop Function		Standard Configuration
Self-Diagnosis Function		Standard Configuration
Maintenance Reminder		Standard Configuration
RS485		Optional
Multiple Operating Modes		Electronic/Jog/Hand Chain
Control Panel Functions		
Opening Speed Setting		Stepless Speed Regulation
Closing Speed Setting		Stepless Speed Regulation
Opening Deceleration Interval Setting		●
Closing Deceleration Interval Setting		●
Automatic Closing Time-Delay (Seconds)		0-240(0:Disable automatic door closing)
Safety Signal Failure Height Setting		●
Running Status Display Option		●
Extensions of Control Panel Functions		
Error Prompt		●
Data Statistics		●
Error Log		●
Maintenance Reminder		●
Motor Running Reverse		●
Interface Logic Switching(NC/NO)		●
Interface of Control Cabinet		
Networking Physical Interface		RS485(only available in Plus version)
Manual Opening Signal Input		●
Manual Closing Signal Input		●
Manual Stop Signal Input		●
Safety Protection Signal Input		Reverse Opening
Door In Door Signal Input		●
Emergency Stop Input		●
Programmable Relay Output		2 Groups



Cadena Para Altura de 8MTS  
(16MTS Lineal)

Industrial Sectional Door C90

