

» OPERADOR INVERTER 60M2 16M CAD 120NM 220V MARCA POWEVER MOD.C120.
Industrial Sectional Door Servo System

Model C120 /120N.M/1500W Industrial Sectional Door Servo System



Control Cabinet

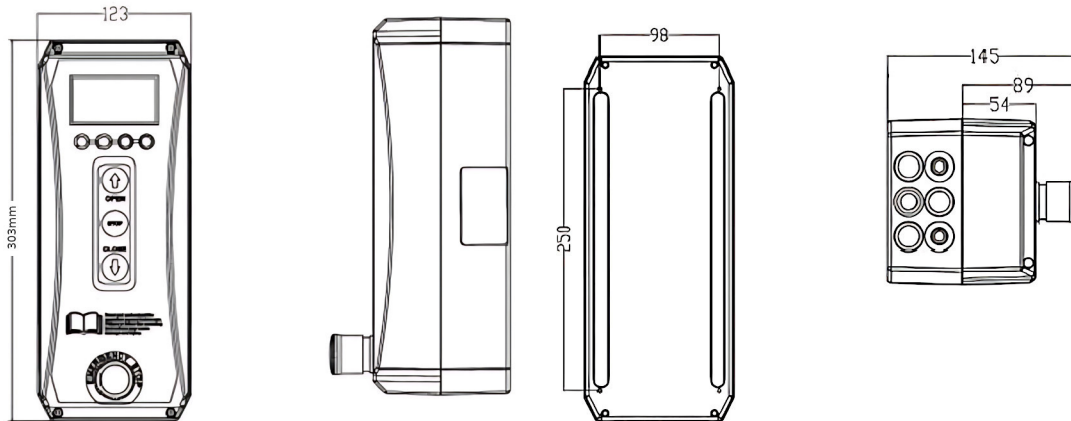
Model : Industrial Sectional Door C120
 Rated Torque: 120N.M
 Display : LCD Monitor



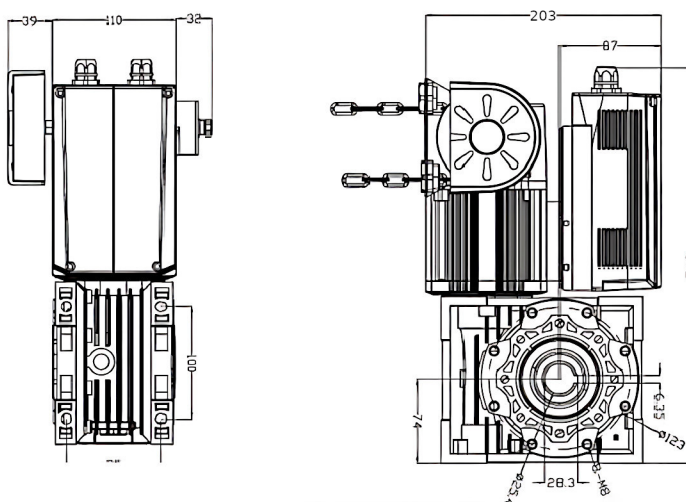
Motor Drive Unit

Model : Industrial Sectional Door C120
 Power Supply : 1N~AC200-240
 Default Line Length : 9M
Max Matching Area : 50M²

Dimension: Control Cabinet



Dimension: Motor Drive Unit



| CÓDIGO | SKU | MODELO | DESCRIPCIÓN |
|--------------|----------|----------|--------------------------------------|
| PV-00014-KIT | C120-DW4 | C120-DW4 | OPERADOR INV 60M2 16M CAD 120NM 220V |



»OPERADOR INVERTER 60M2 16M CAD 120NM 220V MARCA POWEVER MOD.C120.

Specifications

| Basic Parameters | Model C120 |
|--|---|
| Rated Torque | 120N.m |
| Power | 1500W |
| Reducer Specifications | RV63 1:80 |
| Output Rated Speed | 30 rpm |
| Recommended Max Matching Area | 50m² |
| Power Supply | 1N~ AC110V/220V/380V |
| Frequency | 50/60 HZ |
| Current | 26A~110V/13A-220V |
| Max Limit Circle | 40 |
| Motor IP Level | IP54 |
| Hand Chain Length | 8m |
| Default Line Length | 9m |
| Working Temperature | -20°C-50°C |
| Functions Features | |
| Display | LCD Monitor |
| Limit mode | Electronic Limit |
| Slow Start and Slow Stop Function | Standard Configuration |
| Self-Diagnosis Function | Standard Configuration |
| Maintenance Reminder | Standard Configuration |
| RS485 | Optional |
| Multiple Operating Modes | Electronic/Jog/Hand Chain |
| Control Panel Functions | |
| Opening Speed Setting | Stepless Speed Regulation |
| Closing Speed Setting | Stepless Speed Regulation |
| Opening Deceleration Interval Setting | ● |
| Closing Deceleration Interval Setting | ● |
| Automatic Closing Time-Delay (Seconds) | 0-240(0:Disable automatic door closing) |
| Safety Signal Failure Height Setting | ● |
| Running Status Display Option | ● |
| Extensions of Control Panel Functions | |
| Error Prompt | ● |
| Data Statistics | ● |
| Error Log | ● |
| Maintenance Reminder | ● |
| Motor Running Reverse | ● |
| Interface Logic Switching(NC/NO) | ● |
| Interface of Control Cabinet | |
| Networking Physical Interface | RS485(only available in Plus version) |
| Manual Opening Signal Input | ● |
| Manual Closing Signal Input | ● |
| Manual Stop Signal Input | ● |
| Safety Protection Signal Input | Reverse Opening |
| Door In Door Signal Input | ● |
| Emergency Stop Input | ● |
| Programmable Relay Output | 2 Groups |



Cadena Para Altura de 8MTS,
(16MTS Lineal)

Industrial Sectional Door C120

