

» OPERADOR INVERTER ENCODER ABSO TAB 40NM 220V MARCA POWEVER MOD.C40.
Industrial Sectional Door Servo System

Model C40 /40N.M/550W Industrial Sectional Door Servo System



Control Cabinet

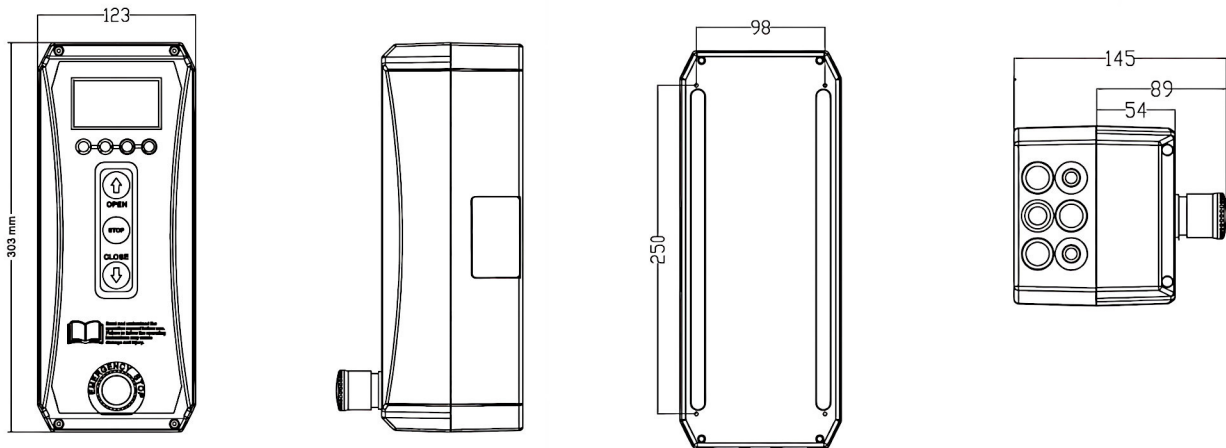
Model : Industrial Sectional Door C40
 Rated Torque : 40N.M
 Display : LCD Monitor



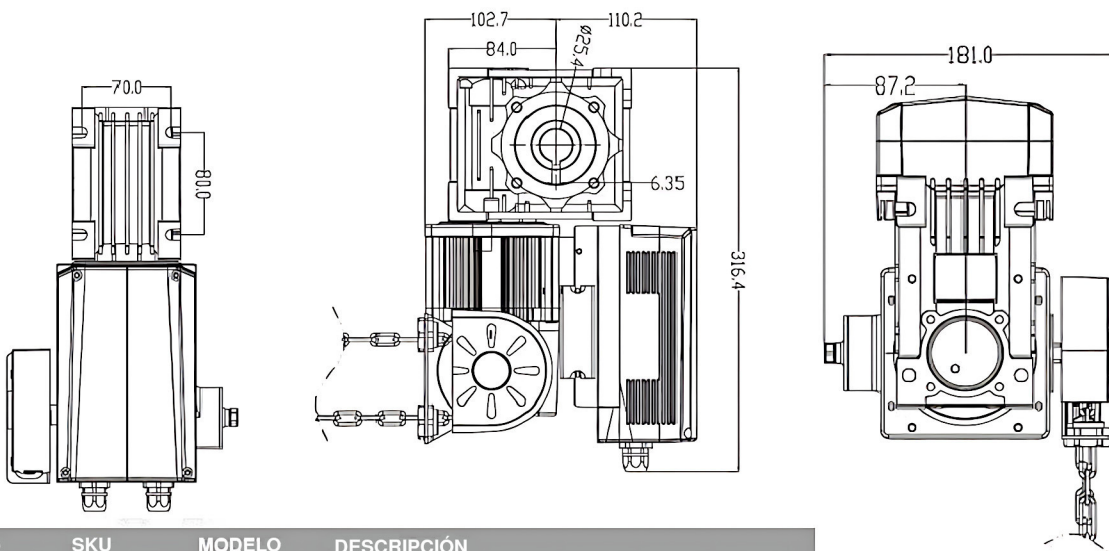
Motor Drive Unit

Model : Industrial Sectional Door C40
 Power Supply : 1N~AC200-240
 Default Line Length : 5M
Max Matching Area : 20M²

Dimension: Control Cabinet



Dimension: Motor Drive Unit



CÓDIGO	SKU	MODELO	DESCRIPCIÓN
PV-00011-KIT	C40-DW4	C40-DW4	OPERADOR INV ENC ABSO 10M CAD 40NM 220V



»OPERADOR INVERTER ENCODER ABSO TAB 40NM 220V MARCA POWEVER MOD.C40.

Specifications

Basic Parameters		C40
Rated Torque		40N.m
Power		450W
Reducer Specifications		RV50 1:80
Output Rated Speed		30 rpm
Recommended Max Matching Area		20m²
Power Supply		1N~AC110V/220V/380V
Frequency		50/60 Hz
Current		8A-110V/4A--220V
Max Limit Circle		50
Motor IP Level		IP54
Hand Chain Length		4m (8m maximum)
Default Line Length		5m
Working Temperature		-20°C-50°C
Functions Features		
Display		LCD Monitor
Limit mode		Electronic Limit
Slow Start and Slow Stop Function		Standard Configuration
Self-Diagnosis Function		Standard Configuration
Maintenance Reminder		Standard Configuration
RS485		Optional
Multiple Operating Modes		Electronic/Jog/Hand Chain
Control Panel Functions		
Opening Speed Setting		Stepless Speed Regulation
Closing Speed Setting		Stepless Speed Regulation
Opening Deceleration Interval Setting		●
Closing Deceleration Interval Setting		●
Automatic Closing Time-Delay (Seconds)		0-240(0:Disable automatic door closing)
Safety Signal Failure Height Setting		●
Running Status Display Option		●
Extensions of Control Panel Functions		
Error Prompt		●
Data Statistics		●
Error Log		●
Maintenance Reminder		●
Motor Running Reverse		●
Interface Logic Switching(NC/NO)		●
Interface of Control Cabinet		
Networking Physical Interface		RS485(only available in Plus version)
Manual Opening Signal Input		●
Manual Closing Signal Input		●
Manual Stop Signal Input		●
Safety Protection Signal Input		Reverse Opening
Door In Door Signal Input		●
Emergency Stop Input		●
Programmable Relay Output		2 Groups



Cadena Para Altura de 5MTS (10MTS Lineal)

Industrial Sectional Door C40

