

»OPERADOR INVERTER ENCODER ABSO TAB 60NM 220V MARCA POWEVER MOD.C60.

Industrial Sectional Door Servo System

Model C60 /60N.M/750W Industrial Sectional Door Servo System



Control Cabinet

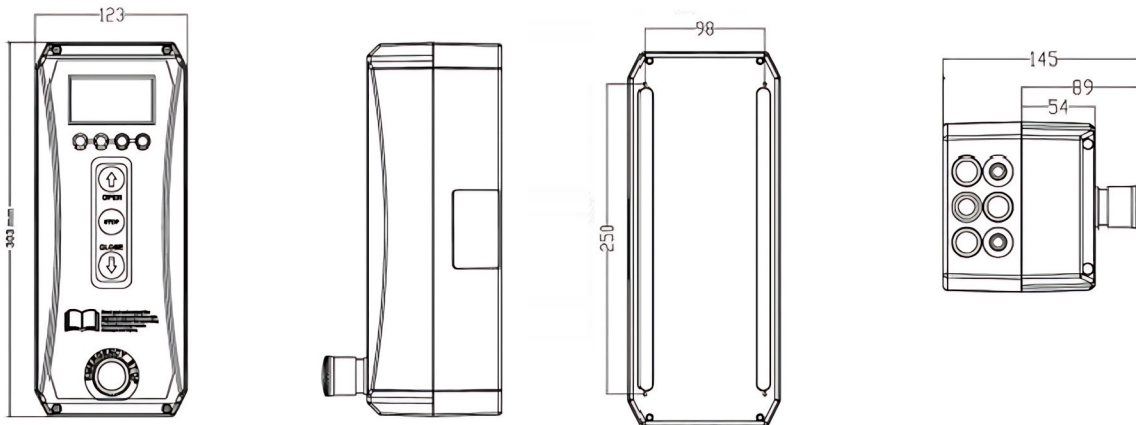
Model :Industrial Sectional Door C60
 Rated Torque : 60N.M
 Display : LCD Monitor



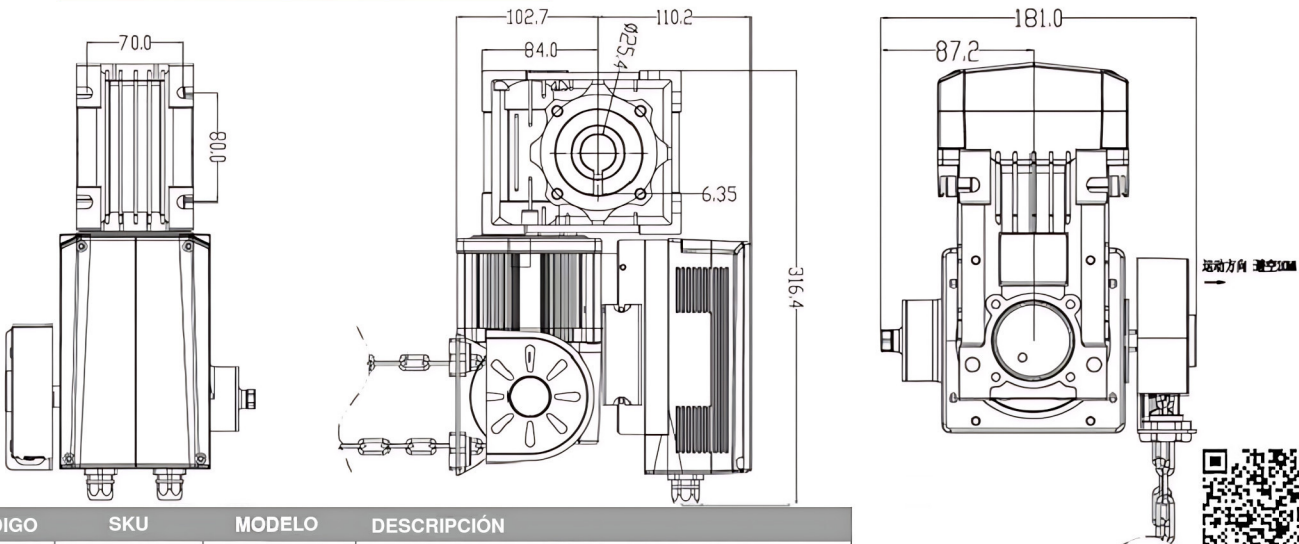
Motor Drive Unit

Model :Industrial Sectional Door C60
 PowerSupply : 1N~AC200-240
 Default Line Length : 5M
Max Matching Area : 30M²

Dimension: Control Cabinet



Dimension: Motor Drive Unit



CÓDIGO	SKU	MODELO	DESCRIPCIÓN
PV-00012-KIT	C60-DW4	C60-DW4	OPERADOR INV ENC ABSO 10M CAD 60NM 220V



» OPERADOR INVERTER ENCODER ABSO TAB 60NM 220V MARCA POWEVER MOD.C60.

Specifications

Basic Parameters		C60
Rated Torque		60N
Power		650W
Reducer Specifications		RV50 1:80
Output Rated Speed		30 rpm
Recommended Max Matching Area		30m²
Power Supply		1N~AC110V/220V/380V
Frequency		50/60 Hz
Current		12A--110V/6A--220V
Max Limit Circle		50
Motor IP Level		IP54
Hand Chain Length		4m (8m maximum)
Default Line Length		5m
Working Temperature		-20°C-50°C
Functions Features		
Display		LCD Monitor
Limit mode		Electronic Limit
Slow Start and Slow Stop Function		Standard Configuration
Self-Diagnosis Function		Standard Configuration
Maintenance Reminder		Standard Configuration
RS485		Optional
Multiple Operating Modes		Electronic/Jog/Hand Chain
Control Panel Functions		
Opening Speed Setting		Stepless Speed Regulation
Closing Speed Setting		Stepless Speed Regulation
Opening Deceleration Interval Setting		●
Closing Deceleration Interval Setting		●
Automatic Closing Time-Delay (Seconds)		0-240(0:Disable automatic door closing)
Safety Signal Failure Height Setting		●
Running Status Display Option		●
Extensions of Control Panel Functions		
Error Prompt		●
Data Statistics		●
Error Log		●
Maintenance Reminder		●
Motor Running Reverse		●
Interface Logic Switching(NC/NO)		●
Interface of Control Cabinet		
Networking Physical Interface		RS485(only available in Plus version)
Manual Opening Signal Input		●
Manual Closing Signal Input		●
Manual Stop Signal Input		●
Safety Protection Signal Input		Reverse Opening
Door In Door Signal Input		●
Emergency Stop Input		●
Programmable Relay Output		2 Groups



Cadena Para Altura de 5MTS (10MTS Lineal)

Industrial Sectional Door C60

