



GL1

CHAPA ELECTRICA PARA PUERTAS & PORTONES (CORREDIZOS Y ABATIBLES) "2000lbs"



PRODUCT FEATURES

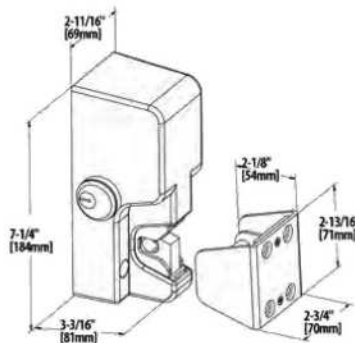
- 2000lbs holding force
- Operates under preload up to 100lbs
- Automatic dual voltage - no field adjustment required
- Accepts a standard mortise cylinder with Adams Rite MS cam for manual key override (not included, see spacer guide below)
- Self-aligning receiver (+/- 1/2" horizontally) helps compensate for gate misalignment and sag
- Tamper resistant cast housing
- Optional latch status monitor
- Surface mount
- MagnaCare Lifetime Replacement No Fault Warranty

SPECIFICATIONS

- Patent: 8,047,582
- Holding Force:** 2000lbs [907kg]
- Dimensions:** 2-3/4" L x 7-1/4" W x 3-1/4" D
- Electrical:**
12 Volts Initial (Peak): (~1.0 sec.) @ 870mA - Reduced: 290mA Power Consumption: 3.5 Watts
24 Volts Initial (Peak): (~1.0 sec.) @ 720mA - Reduced: 170mA Power Consumption: 4.1 Watts
- Operating temperature:** -58 to +167F [-50 to +75C] Indoor or outdoor use
- Shipping Weight:** 6lbs [2.72kg]
- Finishes:** Black Finish



Dimensiones



MODELS

PART # | Description

- GL1-FL** Gate Lock, 12/24VDC, Standard Fail Locked
- GL1-FS** Gate Lock, 12/24VDC, Standard Fail Safe
- GL1-FLM** Gate Lock, 12/24VDC, Monitored Fail Locked
- GL1-FSM** Gate Lock, 12/24VDC, Monitored Fail Safe
- GMC** Gate Lock Mortise Cylinder (FL Models Only)

Mortise Spacer Guide

Cylinder Length	Spacer Required
1"	1/4"
1-1/8"	3/8"
1-1/4"	1/2"

CÓDIGO	SKU	MODELO	DESCRIPCIÓN
TE-00132-00	3496	DES GL1	CHAPA ELECT.GANCHO MOD.GL1 2000LBS

